



505 - 6th Street, Suite 200  
New Westminster, BC V3L 0E1

Toll Free: 1-866-566-SAFE  
Fax: (778) 396 - 2064  
www.safetyauthority.ca

TECHNICAL STANDARDS & SAFETY AUTHORITY  
14TH FLOOR CENTRE TOWER-3300 BLOOR STREE  
TORONTO ON M8X 2X4

**Date:** February 3, 2016  
**Account #:** 35231  
**Journal #:** 64533  
**Our File #:** 5574691

**Attn:** TANYA FRANCIS

**Re:** Application for Design Registration

The design, as detailed in your, TSSA SR# 1792080, for a Fitting is accepted for registration as follows:

**Registered To:** SWAGELOK COMPANY                      **CRN:** 0C18133.51

**Drawing #:** MS-02-89 (Product Catalog)

**Conditions Of Registration:**

Registration of CW Series All-Welded Check Valves as per scope of registration sheets (2 pages).

This design was registered based on a technical review performed by the province of initial registration in accordance with the Association of Chief Inspectors policy on reciprocal recognition of design review.

**Reviewer's Notes:**

As required by CSA B51 4.2.1, this registration expires on December 17, 2025. This CRN is valid until the expiry date as long as the Manufacturer maintains a valid quality control program verified by an acceptable third-party agency until that date. Should the certification of the quality control program lapse before the expiry date, this registration shall become void.

Contact me if you have any questions. The invoice for registration will be forwarded under separate cover.

SHARON PETERS

boiler.designregistration@safetyauthority.ca  
Design Administration

**cc:**

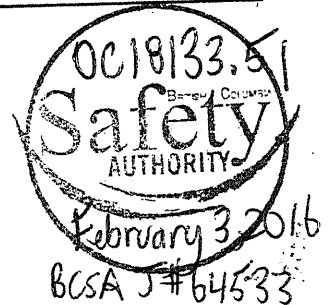
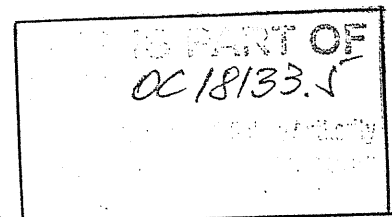
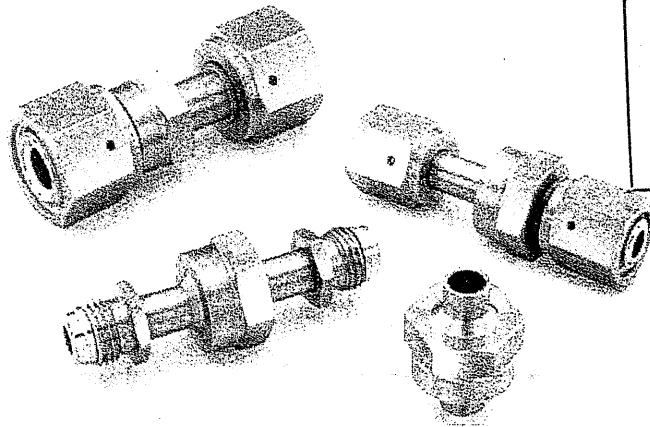
## Attachment B: Scope of CRN Registration for The Swagelok CW Series All-Welded Check Valves (Category C)

This document represents the scope of the CW Series All-Welded Check Valve covered by this submission for CRN approval. The Swagelok CW Series Check Valve was designed and evaluated in accordance with ASME B31.1-2007 for unlisted components and ASME B31.3-2006 for unlisted components.

### Summary Table

Product Description or Series	Main Pressure Bearing Component	Main Pressure Bearing Material (Standard)	Port Connections and Sizes	Maximum Rated Temperature (psig)		Design Code of Construction
				At ambient temperature:	At maximum temperature:	
CW4	Body	316L Stainless Steel (ASTM A479)	Tube Butt Weld Ends 1/4", 3/8", 1/2", 6MM Female VCR Fittings 1/4", 1/2" Integral Male VCR Fittings 1/4", 1/2" Female/Integral Male VCR Fittings 1/4" Rotatable Male VCR Fittings 1/4" Swagelok Tube Fitting 1/4", 6MM	3000 @ 100 °F	2065 @ 400 °F	ASME B31.1 (Unlisted Components) and ASME B31.3 (Unlisted Components)

### Product Illustration



### Product Options

Some product options could affect the pressure-temperature ratings shown in the Summary Table, but in all cases the ratings are less than those shown in the Summary Table. An example of this would be optional body seal materials.

Additional options that do not affect pressure-temperature ratings may be made available within the scope of this registration. An example of this would be optional poppet springs.

### Quality System

The Swagelok Company quality system complies with the requirements of BS EN ISO 9001:2008. The Swagelok Company maintains British Standards Institution Certificate of Registration Number FM 01729, which applies to all locations listed on the Certificate. The CW Series Check Valve is manufactured at a Swagelok Company location in Solon, Ohio.

### References

The product catalog does not represent the full scope of registration, but rather details some of the most common options.

- CW Series Check Valve Catalog MS-02-89