


UNIFORM STATUTORY DECLARATION FORM FOR THE REGISTRATION OF FITTING DESIGNS

NEW BRUNSWICK
NUNAVUT

NOVA SCOTIA
YUKON

PRINCE EDWARD ISLAND
NORTHWEST TERRITORIES

NEWFOUNDLAND AND LABRADOR

MANUFACTURERS NAME: <u>Swagelok Company</u>	
MANUFACTURERS ADDRESS: <u>29500 Solon Road, Solon, Ohio 44139 USA</u>	
PLANT LOCATIONS: <u>Headquarters: 29500 Solon Road, Solon, Ohio 44139 USA (See Attachment A)</u>	
<p align="center">CATEGORY OF FITTINGS TO BE REGISTERED. CIRCLE ONE CATEGORY ONLY</p> <p><input checked="" type="radio"/> A Pipe fittings, including couplings, tees, elbows, Ys, plugs, unions, pipe caps, or reducers</p> <p><input type="radio"/> B Flanges: all flanges</p> <p><input type="radio"/> C Valves: all line valves</p> <p><input type="radio"/> D Expansion joints, flexible connections, and hose assemblies: all types</p> <p><input type="radio"/> E Strainers, filters, separators, and steam traps</p> <p><input type="radio"/> F Measuring devices, including pressure gauges, level gauges, sight glasses, levels, or pressure transmitters</p> <p><input type="radio"/> G Certified capacity-rated pressure relief devices acceptable as primary over pressure protection on boilers, pressure vessels, piping and fusible plugs</p> <p><input type="radio"/> H Pressure retaining components that do not fall into one of the above categories</p> <p><input type="radio"/> N Nuclear components: Class 1 <input type="checkbox"/> Class 2 <input type="checkbox"/> Class 3 <input type="checkbox"/> (Meeting AECB or ASME requirements)</p>	<p align="center">TITLE OF THE STANDARD OF CONSTRUCTION</p> <p><u>ASME B16.5 and ASME B31.3 Chapter IX, for unlisted components where applicable</u></p>
<p>SHOW MANUFACTURERS NAME, TRADEMARK, OR LOGO AS IT WILL APPEAR ON THE PRODUCT</p> <p align="center"></p>	<p align="center">TYPE OF CONSTRUCTION</p> <p>FORGED <input checked="" type="checkbox"/> WELDED <input type="checkbox"/> WROUGHT <input type="checkbox"/> CAST <input type="checkbox"/> OTHER <input type="checkbox"/> DESCRIBE OTHER:</p>
<p>LIST OF SUPPORTING DOCUMENTATION AND IDENTIFICATION OF THE ACTUAL ITEMS TO BE REGISTERED:</p> <p><u>ISO 9001:2015 Quality System Certificate, Support Documents, Attachment B, Catalog Information, Attachment A</u></p>	

DECLARATION:

I, David H. Peace (see note 3) employed by Swagelok Company and being the person having full authority and responsibility for the quality of the end product do solemnly declare that the information contained in this form is true and to the best of my knowledge represents the product for which registration is sought. The dimensions, materials of construction, pressure temperature ratings, and identification markings are in accordance with the herein named standards. I further declare that the manufacture of these fittings is regulated by a Quality Control Program which extends to each plant where fabrication occurs in whole or in part and has been verified by BSI as being suitable for that purpose and I make this solemn declaration conscientiously believing it to be true, and knowing that it is of the same force and effect as if made under oath.

Signature of Declarer: [Signature]

Declared before me at Solon, Ohio

This 3rd day of May AD 2017

Commissioner of Oaths or Notary Public: (sign) [Signature]

(Affix Official seal to the right)

THIS SPACE FOR THE
OFFICIAL SEAL
Jamie L. Ristau
 Resident Portage County
 Notary Public, State of Ohio
 My Commission Expires: 03/06/2018

This space for Regulatory Authority use

This registration must be revalidated after ten (10) years from the date of acceptance.

CRN: 0A17712.26

A. BANWATT

EXPIRY DATE: JUNE 9, 2027

Notes:

- All fittings shall be registered in the name of the Manufacturer.
- Each category shall be supported with two Statutory Declaration forms and one copy of supporting documentation.
- The declaration shall be made by the person having full authority and responsibility for the quality of the end product.
- Quality control programs shall be resubmitted for validation at a maximum interval of five (5) years.

REGISTERED

CRN: 0A17712.26

Registration Process administered by
 CSA Group per CSA B51

DATE REGISTERED: AUGUST 24, 2017

*Note: See the attachment for the scope of the registration.

REGISTERED



CRN: 0A17712.26

Registration Process administered by
CSA Group per CSA B51

Technical Review performed per CSA B51
Performed by: ANRIC Enterprises Inc.

Signed: Abbwaet

Date: August 24, 2017

June 09, 2017

Attention: Jonathan Seewald
SWAGELOK COMPANY
29500 SOLON ROAD
SOLON, OH 44139

Email: Jonathan.Seewald@swagelok.com

The design submission, tracking number 2017-02751, originally received on May 08, 2017 was surveyed and accepted for registration as follows:

CRN : 0A17712.2 Accepted on: June 09, 2017

Reg Type: New Design Expiry Date: June 09, 2027

Drawing No. : ATTACHMENT B: SCOPE OF REGISTRATION PAGES 1 TO 3

Fitting type: FLANGE ADAPTERS

Design registered in the name of : SWAGELOK COMPANY

The registration is conditional on your compliance with the following notes:

This registration includes fifteen manufacturing locations as per Attachment A.

The scope of this registration is as per Attachment B and includes the material, sizes, and pressure-temperature ratings. The pressure-temperature ratings are further defined in the Code Comparison Summary document.

As indicated on the AB-41 Statutory Declaration form and submitted documentation the codes of construction are ASME B31.1 and B31.3.

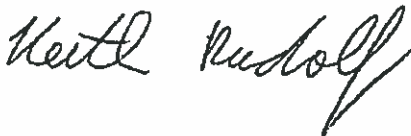
This registration is valid only for fittings fabricated at the location(s) covered by the QC certificate attached to the accepted AB-41 Statutory Declaration form.

This registration is valid only until the indicated expiry date and only if the Manufacturer maintains a valid quality management system approved by an acceptable third-party agency until that date. Should the approval of the quality management system lapse before the expiry date indicated above, this registration shall become void.

An invoice covering survey and registration fees will be forwarded from our Revenue Accounts.

Enclosed are stamped prints for your reference.

Sincerely,



RUDOLF, KEITH, P. Eng.
SCO Cert. No. D00008862



**Attachment B: Scope of Registration for 316 SS ASME (ANSI) Flange Adapters
(Category A)**

Product Scope

The table below presents the scope of Swagelok ANSI Flange Adapters with tube connections covered by this submission for CRN approval. The referenced product catalogues do not represent the full scope of the submission but rather detail some of the most common options..

Summary Table

Product Description or Series	Material	Port Connections and Sizes	Maximum Allowable Working Pressure		Design Code of Construction
			Up to 100°F	At maximum temperature	
Swagelok Flange Adapters	F316 SS ASTM A182	Swagelok End Connection 1/16 - 2 inch (Fractional) 3mm - 50 mm (Metric)	As documented in ASME B16.5 Class and pressure ratings. See "Swagelok SS Tube Fitting Pressure Rating Table" on p.2 as the fitting end may be a limiting factor.		<ul style="list-style-type: none"> • ASME B16.5 • ASME B31.1 for unlisted components • ASME B31.3 for unlisted components

Product Description And Ratings

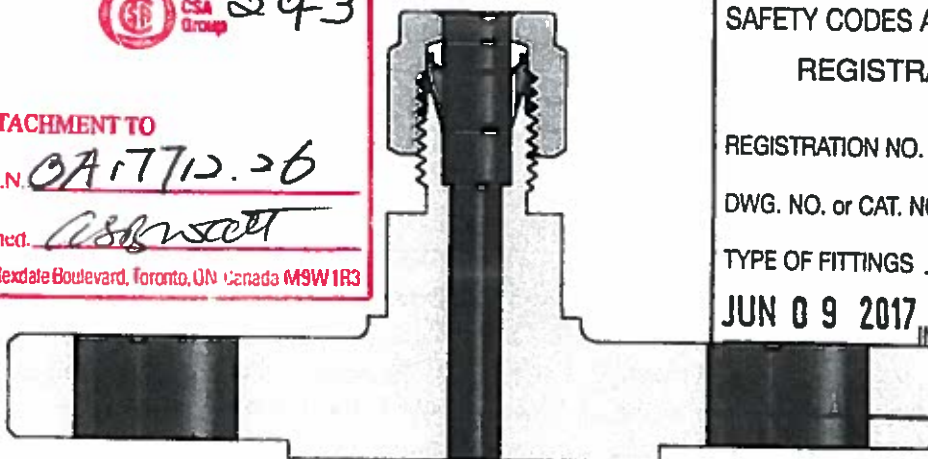
The Swagelok Flange Fitting body is a combination of a flange end designed and machined to ASME B16.5 dimensions and requirements, and Swagelok's proprietary design tube fitting end which is identical to the design approved in Swagelok SS Tube Fitting CRN 0A12577.5 (0A10622.2 for Alberta). Flange pressure ratings are based on Class and pressure-temperature ratings as documented in ASME B16.5-2013. Actual flange product ratings may be reduced due to the tube fitting end acting as the limiting factor (see table below for Tube fitting pressure ratings)

An example flange adapter section view is shown below. All Swagelok Flange Fitting wall thicknesses are the same or thicker than those noted in the above Swagelok SS Tube Fitting CRNs.



243

ATTACHMENT TO
C.R.N. 0A17712.26
Signed: Keith Rudolf
178 Rexdale Boulevard, Toronto, ON Canada M9W 1R3



ADSA

SAFETY CODES ACT - PROVINCE OF ALBERTA
REGISTRATION OF FITTINGS

REGISTRATION NO. 0A17712.2

DWG. NO. or CAT. NO. Attachment B

TYPE OF FITTINGS Flange Adapters

JUN 09 2017 INITIALS Keith Rudolf
KEITH RUDOLF, P.Eng.
DESIGN SURVEY ENGINEER

"See Acceptance Letter for the comments and/or conditions of registration"

Quality System

The Swagelok Company quality system complies with the requirements of BS EN ISO 9001:2015. Swagelok Company maintains BSI Certificate of Registration Number FM 01729, which applies to all locations listed on the Certificate.

References

The product catalogs noted below do not represent the full scope of registration, but rather details some of the most common options.

- Flange Adapters MS-02-200
- Tubing Data Sheet MS-01-107

0A17712.2

JUN 09 2017

"See Acceptance Letter for the comments
and/or conditions of registration"

