

Series 20

Weld Head



User's Manual

English.	1
Japanese (日本語)	45

Series 20

Weld Head



User's Manual

Swagelok®

Contents

Weld Head	3
Fixture Block	3
Unpacking the Weld Head Components	4
Installing the Weld Head	5
Installing the Electrode in the Weld Head	6
Electrode Geometry	7
Calculating Arc Gap Gage Settings	8
Setting the Arc Gap	9
Setting the Arc Gap Gage	9
Inserting the Electrode into a Rotor	11
Setting the Arc Gap	12
Preparing the Work	13
Fixturing the Work	14
Maintenance	21
Parts Drawings	29

Weld Head

The Series 20 SWS weld head delivers consistent, precise welds for outside tubing diameters from 1/2 to 2 in. and 12 to 52 mm and pipe diameters ranging from 1/4 to 1 1/4 in. and 10.2 to 48.3 mm.

A DC motor in the weld head drives a rotor, which carries the tungsten electrode around the weld joint. Optical circuitry in the weld head sends precise feedback to the power supply to control the speed of the rotor.

All moving parts in the weld head are mounted in low-friction devices to provide smooth, consistent operation.

A spring-loaded, floating brush continuously contacts approximately one-third of the circumference of the rotor. This configuration ensures consistent, uniform electrical conductance to the rotor and electrode.

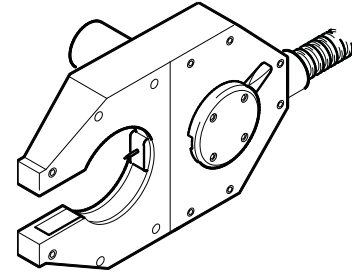


Figure 1 Series 20 Weld Head

Fixture Block

The Series 20 SWS fixture block accurately aligns and holds tubing, fittings, and valve bodies. The modular design allows you to select different side plates and create the configuration needed for the job.

The fixture block is separate from the weld head, allowing work pieces to be easily aligned and fixtured before welding. Using multiple fixture blocks can increase productivity.

Each fixture block is designed to accommodate a range of work piece sizes. A Universal Collet Insert (UCI) fits into the fixture block to match the diameter of the work piece. The collet design firmly holds tubing and fittings that vary ± 0.005 in. (0,13 mm) from nominal outside diameter. Collets are also available for thin wall pipe. The collets exchange quickly, making the fixture block very adaptable to changing work requirements.

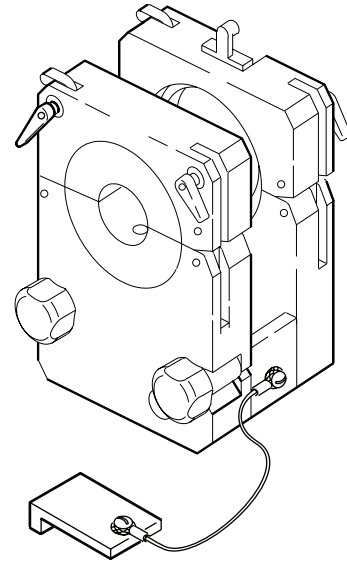


Figure 2 Series 20 Fixture Block

Unpacking the Weld Head Components

The following weld head components are packaged in a foam-lined shipping container:

- weld head
- arc gap gage
- electrode package
- tool package

Perform the following steps when your Swagelok Series 20 Weld Head arrives:

1. Inspect the container for damage.
2. Remove the components from the container.
3. Check the items for any damage.
4. Verify that the weld head serial number matches the serial number on the shipping container.
5. Record the model and serial numbers, and the delivery dates on the *Registration Information* page of your power supply user's manual.

Installing the Weld Head

The weld head has four connectors that plug into the power supply.

The four connectors on the cable are:

- weld head
- electrode (red)
- work (green)
- weld head shielding gas

Connect the four connectors to the side panel of the power supply by performing the following steps (see Figure 4):

1. Locate the weld head.
2. Align the notch on the one-quarter turn connector with the small tab in the mating socket on the side panel labeled WELD HEAD. Insert the connector in the socket. Turn the connector sleeve clockwise by hand until it is tight. This connection provides the control signals to drive the weld head.
3. Insert and fully seat the red connector into the socket on the side panel labeled ELECTRODE. Twist the connector 1/4-turn clockwise to lock it into place. This connection is the negative (-) terminal of the weld head.
4. Insert the green connector into the socket on the side panel labeled WORK. Twist the connector 1/4-turn clockwise to lock it into place. This connection is the positive (+) terminal of the weld head.
5. Insert the weld head shielding gas connector into the Swagelok Quick-Connect stem labeled TO WELD HEAD. Ensure that the connector is firmly attached. This connection provides shielding gas to the weld head through a mass flow controller (MFC) in the power supply.

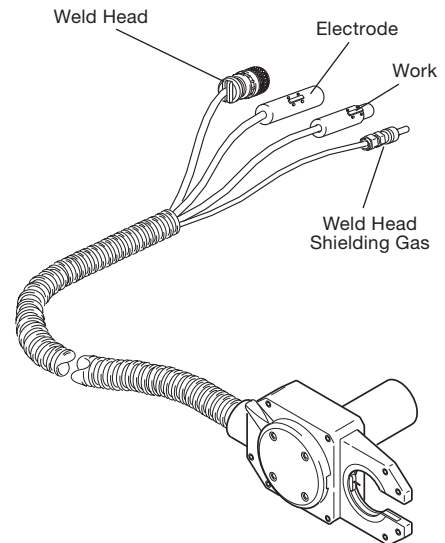


Figure 3 Weld Head

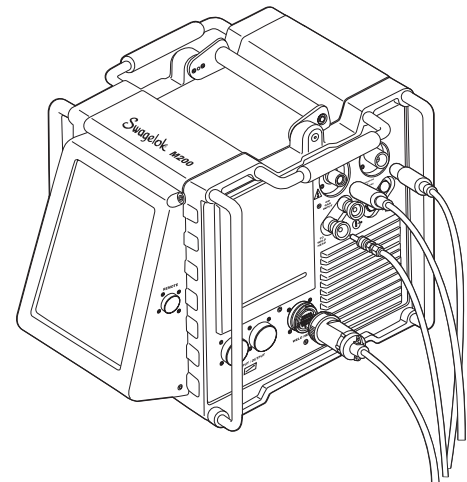


Figure 4 Weld Head Connectors



Caution!

Ensure that the weld head connector is fully seated in the mating socket and the threaded sleeve is tight.

Note:

The weld head shielding gas connector must be a single-end shut-off (SESO) Swagelok Quick-Connect stem (SS-QC4-S-400).

Swagelok

Installing the Electrode in the Weld Head

This Swagelok weld head comes with a selection of electrodes. The following instructions show how to properly install an electrode in the weld head.

Selecting the Proper Electrode

Electrode length and diameter depend on your weld head model and the outside diameter of the work piece being welded. To select the correct electrode use the Electrode Selection Table.

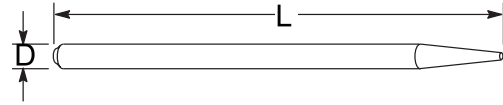


Figure 5 Electrode Dimensions

Table 1 Electrode Selection Table

Electrode Ordering Number	Component OD	Pipe	Electrode Length L	Electrode Diameter D
CWS-C.062-1.630-P	1/2 in. 3/4 in. 12 mm 18 mm 22 mm	1/4 1/2 3/8	1.630 in. (41,40 mm)	0.062 in. (1,57 mm)
CWS-C.062-1.380-P	1 in. 1 1/4 in. 23 mm 25 mm 28 mm 35 mm	3/4 1	1.380 in. (35,05 mm)	0.062 in. (1, 57 mm)
CWS-C.062-1.105-P	1 1/2 in. 35 mm		1.105 in. (28,07 mm)	0.062 in. (1,57 mm)
CWS-C.062-.855-P	1 3/4 in. 2 in. 35 mm 40 mm 52 mm	1 1/4 1 1/2	0.855 in. (21,72 mm)	0.062 in. (1,57 mm)

Electrode Geometry

This illustration shows the electrode shape Swagelok suggests. Properly ground electrodes provide consistent, repeatable welds. Pre-ground electrodes are available from your Swagelok representative. See your parts list for ordering information.

The electrode part numbers are assigned as follows:

CWS	-	X.###	-	###	-	P
		Electrode Diameter		Electrode Length		Package Designator
		Material Designator				
		C = Ceriated				

The ceriated electrode material type is a mixture of 98 % tungsten and 2 % cerium and is commonly referred to as "2% ceriated." This electrode type has demonstrated improved arc starting performance over the 2 % thoriated type, particularly when using purified shielding gas.

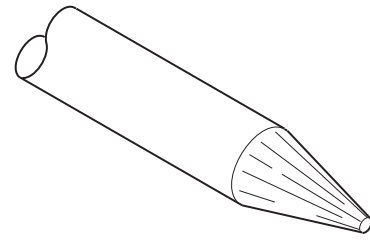
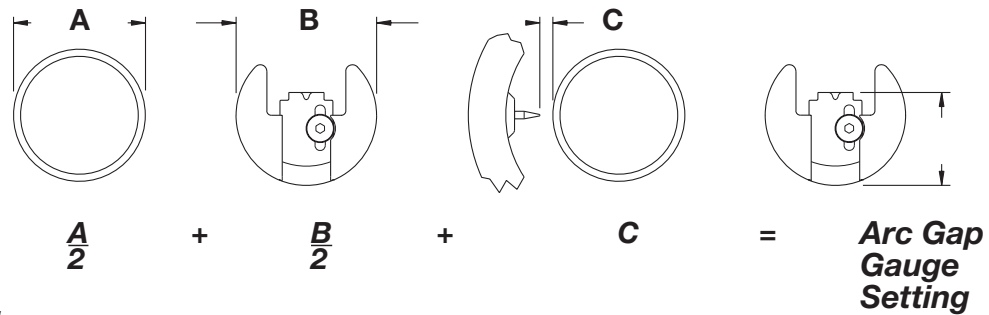


Figure 6 Tungsten Electrode

Calculating Arc Gap Gage Settings

To determine the arc gap gage setting for a specific arc gap, use the formula below.



Where

A = largest OD on the weld end of the tubing or fitting (welding diameter).

B = Arc gap gage diameter

C = desired arc gap

Figure 7 Arc Gap Gage Setting Formula

Example No. 1: (Series 20 Weld Head)

1 to 1 in. tube butt weld - largest outside diameter $A = 1.000$ in.

Arc gap gage diameter $B = 3.118$ in.

Desired arc gap $C = 0.025$ in.

$$\frac{1.000 \text{ in.}}{2} + \frac{3.118}{2} + 0.025 \text{ in.} = 2.084 \text{ in.}$$

Example No. 2: (Series 20 Weld Head)

25 to 25 mm tube butt weld - largest outside diameter $A = 25,00$ mm

Arc gap gage diameter $B = 79,20$ mm

Desired arc gap $C = 0,50$ mm

$$\frac{25,00 \text{ mm}}{2} + \frac{79,20}{2} + 0,50 \text{ mm} = 52,60 \text{ mm}$$

Setting the Arc Gap

The proper arc gap setting facilitates control of the weld and improves consistency. The following steps cover how to set the arc gap.

The arc gap is set by using the arc gap gage provided with the weld head. The gage is adjusted for the desired arc gap and then installed in the rotor. With the gage in place, the electrode can be positioned with reasonable accuracy.

Setting the Arc Gap Gage

1. Measure the outside diameters of the work pieces being welded using a caliper or micrometer. See Figure 8(A). The M200 will calculate the arc gap gage setting automatically when using the Auto Create feature.
2. Refer to the tables on page 10 for your nominal OD. Find the "actual" outside diameter nearest to your measurement.
3. Adjust the arc gap gage to match the setting from the tables on page 10. See Figure 8(B).

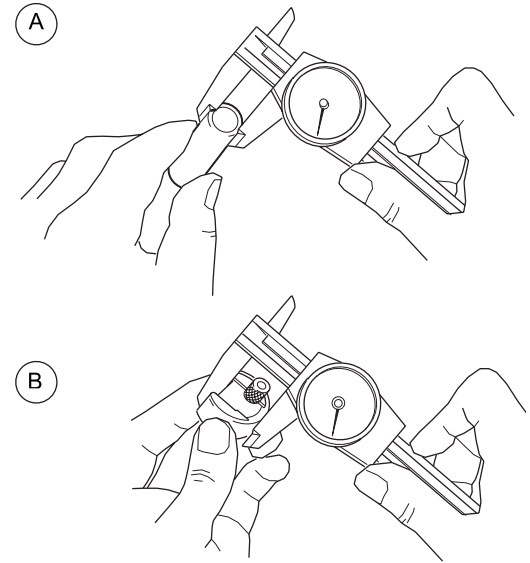


Figure 8 Setting the Arc Gap Gage

Table 2 SWS-20H Arc Gap Gage Dia. 3.118 in.

Nominal OD in.	Actual OD in.	Setting for 0.030 in. Arc Gap in.	Setting for 0.040 in. Arc Gap in.	Setting for 0.050 in. Arc Gap in.	Setting for 0.060 in. Arc Gap in.	Setting for 0.070 in. Arc Gap in.	Setting for 0,5 mm Arc Gap mm	Setting for 0,64 mm Arc Gap mm	Setting for 0,76 mm Arc Gap mm	Setting for 1,02 mm Arc Gap mm	Setting for 1,14 mm Arc Gap mm
1/2	.500	1.839	1.849	1.859	1.869	1.879	46,45	46,59	46,97	46,97	47,09
3/4	.750	1.964	1.974	1.984	1.994	2.004	49,63	49,77	49,89	50,15	50,27
1	1.000	2.089	2.099	2.109	2.119	2.129	52,80	52,94	53,06	53,32	53,44
1 1/4	1.250	2.214	2.224	2.234	2.244	2.254	55,98	56,12	56,24	56,50	56,62
1 1/2	1.500	2.339	2.349	2.359	2.369	2.379	59,15	59,29	59,41	59,67	59,79
2	2.000	2.589	2.599	2.609	2.619	2.629	65,50	65,64	65,76	66,02	66,14

Table 3 SWS-20H Arc Gap Gage Dia. 79,20 mm.

Nominal OD mm	Actual OD mm	Setting for 0,50 mm Arc Gap mm	Setting for 0,64 mm Arc Gap mm	Setting for 0,76 mm Arc Gap mm	Setting for 1,02 mm Arc Gap mm	Setting for 1,14 mm Arc Gap mm
12	12,00	46,12	46,26	46,38	46,64	46,76
18	18,00	49,12	49,26	49,38	49,64	49,76
22	22,00	51,12	51,26	51,38	51,64	51,76
23	23,00	51,62	51,76	51,38	51,64	51,76
25	25,00	52,62	52,76	52,88	53,14	53,26
28	28,00	54,12	54,26	54,38	54,64	54,76
35	35,00	57,62	57,76	57,88	58,14	58,26
52	52,00	66,12	66,26	66,38	66,64	66,76

Table 4 SWS-20H Pipe Arc Gap Gage Settings (standard)

Pipe Size in.	Actual OD in.	Setting for 0.030 in. Arc Gap	Setting for 0.040 in. Arc Gap	Setting for 0.050 in. Arc Gap	Setting for 0.060 in. Arc Gap	Setting for 0.070 in. Arc Gap
1/4	0.54	1.859	1.869	1.879	1.889	1.899
3/8	0.675	1.927	1.937	1.947	1.957	1.967
1/2	0.84	2.009	2.019	2.029	2.039	2.049
3/4	1.05	2.114	2.124	2.134	2.144	2.154
1	1.315	2.247	2.257	2.267	2.277	2.287
1 1/4	1.66	2.419	2.429	2.439	2.449	2.459
1 1/2	1.9	2.539	2.549	2.559	2.569	2.579

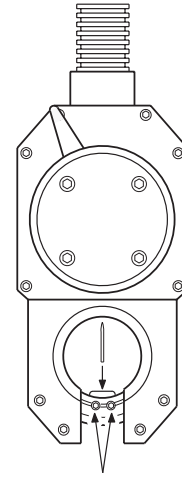
Table 5 SWS-20H Pipe Arc Gap Gage Settings (metric)

Pipe Size mm	Actual OD mm	Setting for 0,76 mm. Arc Gap	Setting for 1,02 mm. Arc Gap	Setting for 1,27 mm. Arc Gap	Setting for 1,52 mm. Arc Gap	Setting for 1,78 mm. Arc Gap
10,2	10,2	45,46	45,72	45,97	46,22	46,48
13,5	13,5	47,11	47,37	47,62	47,87	48,13
17,2	17,2	48,96	49,22	49,47	49,72	49,98
18,9	18,9	49,81	50,07	50,32	50,57	50,83
21,3	21,3	51,01	51,27	51,52	51,77	52,03
26,9	26,9	53,81	54,07	54,32	54,57	54,83
33,7	33,7	57,21	57,47	57,72	57,97	58,23
42,4	42,4	61,56	61,82	62,07	62,32	62,58
48,3	48,3	64,51	64,77	65,02	65,27	65,53



Inserting the Electrode into a Rotor

1. Without the fixture block attached, press **ELECTRODE CHANGE** on the operator panel. The electrode will move to the position shown in Figure 9.
2. Loosen the two electrode clamping screws. If you are replacing the electrode, remove the electrode.
3. Insert the new electrode, with the sharp tip pointing out. Tighten the electrode clamping screws slightly to hold it in place temporarily.
4. Set the proper arc gap with the arc gap gage.



Electrode Clamping Screws

Figure 9 Electrode Installation



WARNING!

DO NOT PRESS START WHILE TOUCHING THE ELECTRODE.



Caution!

Do not jog or move the rotor unless the electrode is clamped in place.



Caution!

The rotor will move when ELECTRODE CHANGE is pressed. The rotor is a potential pinch point.

Setting the Arc Gap

1. Use **JOG** or **ELECTRODE CHANGE** to position the rotor as shown. This allows access to the electrode clamping screws.
2. Insert the arc gap gage into the rotor. See Figure 10(A).
3. Tilt the weld head upward. Loosen the electrode screw allowing the electrode to drop onto the gage surface. See Figure 10(B).
4. Tighten the electrode clamping screws just enough to secure the electrode. Remove the arc gap gage.
5. Press **HOME** or **ELECTRODE CHANGE** to return the rotor to the home position.

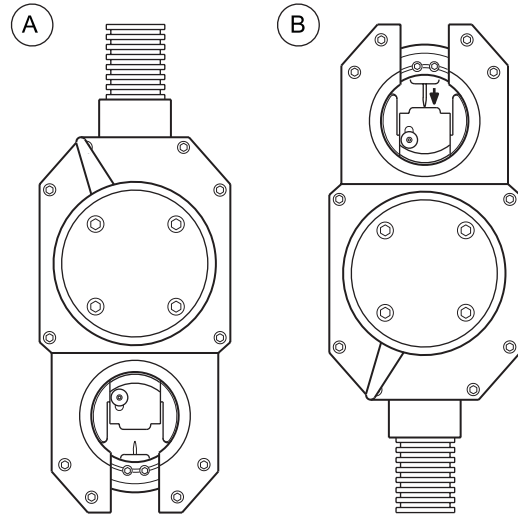


Figure 10 Setting the Arc Gap



Caution!

Do not jog or move the rotor unless the electrode is clamped in place.



Caution!

The rotor will move when ELECTRODE CHANGE is pressed. The rotor is a potential pinch point.

Preparing the Work

It is important to prepare the tube pieces properly before welding. Refer to Figure 11.

Tubing must be square and burr-free to ensure repeatable, high-quality autogenous fusion welds. Cut the tubing to length with a hacksaw or tube cutter. Face the tube ends with a lathe or a portable facing tool. Deburr the ends, making sure that both the inside and outside diameters are square and burr-free. Clean the tube ends using an appropriate solvent.

Minimize the chance of a poor quality weld by following these guidelines:

- Tube ends must be square.
- Tube ends must not have a wall thickness variation exceeding $\pm 15\%$ of nominal.
- Tube ends must be burr-free.
- Tube ends must be free of any rust, grease, oil, paint, or other surface contaminants.

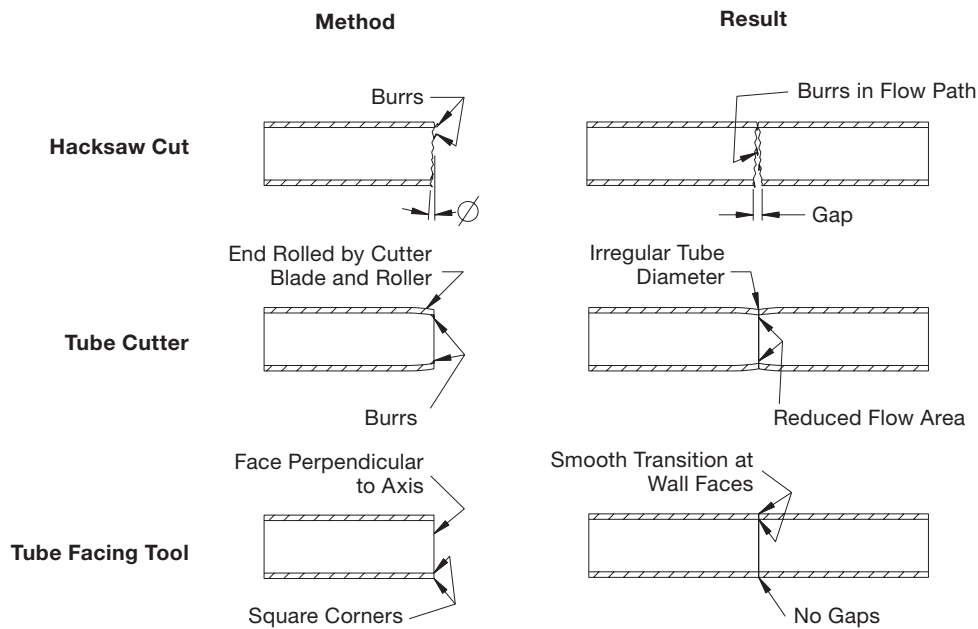


Figure 11 Tube Preparation

Fixturing the Work

Select or configure the appropriate fixture block. Select the collets to match the work outside diameter.

Selecting the Fixture Block and Collets

1. Select the fixture block that accepts the outside diameter of the tube to be welded. Refer to Table 6.

Table 6 Fixture Blocks

Model	OD Capacity	Minimum Weld Extension Length
SWS-20TFB-A	1/2 to 2 in. (12 to 52 mm)	1.45 in. (36,83 mm)
SWS-20FSP1L or SWS-20FSP1R	1/2 to 2 in. (12 to 52 mm)	0.80 in. (20,32 mm)

2. Select the proper collets for the diameter of the parts being welded. Refer to Table 7.

Table 7 Collets

Model	OD Capacity	Comments
CWS-20UCI- <u>X</u>	1/2 in. to 2 in. (12 mm to 48.3 mm)	Tubing / tube fittings
CWS-20UCI- <u>XP</u>	1/4 to 1 1/2	Pipe Add J suffix for JIS pipe (- <u>XPJ</u>) Add MMP suffix for metric pipe (- <u>XMMP</u>)
SWS-20UCI- <u>XTN</u>	1/2 in. to 2 in. (12 mm to 52 mm)	Tubular weld fitting collet for SWS-20FSP1L and SWS-20FSP1R Add MM (<u>XMMTN</u>) suffix for metric sizes
SWS-20UCI-MC	N/A	Collet to hold ferrule mandrels for SWS-20TFB-A fixture block

Where X identifies the collet size in 1/16ths or metric (MM suffix)

Installing the Collets in a Tube Fixture Block

1. Release both levers and open the tube fixture block. See Figure 12.

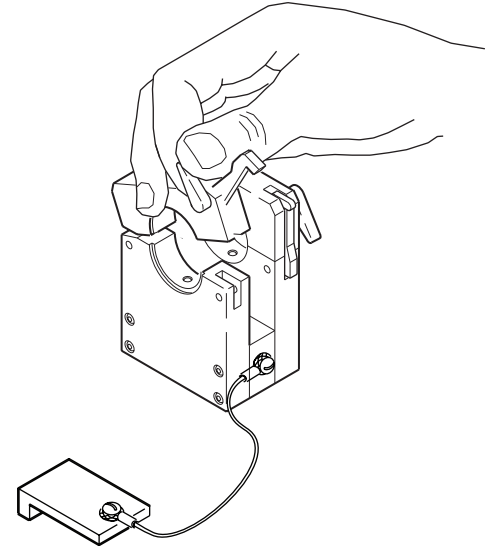


Figure 12 Opening the Fixture Block

2. Install the collet halves in both the top and bottom side plates and tighten the collet screws. Make sure the collet shoulder is flush against the fixture side plate. See Figure 13.

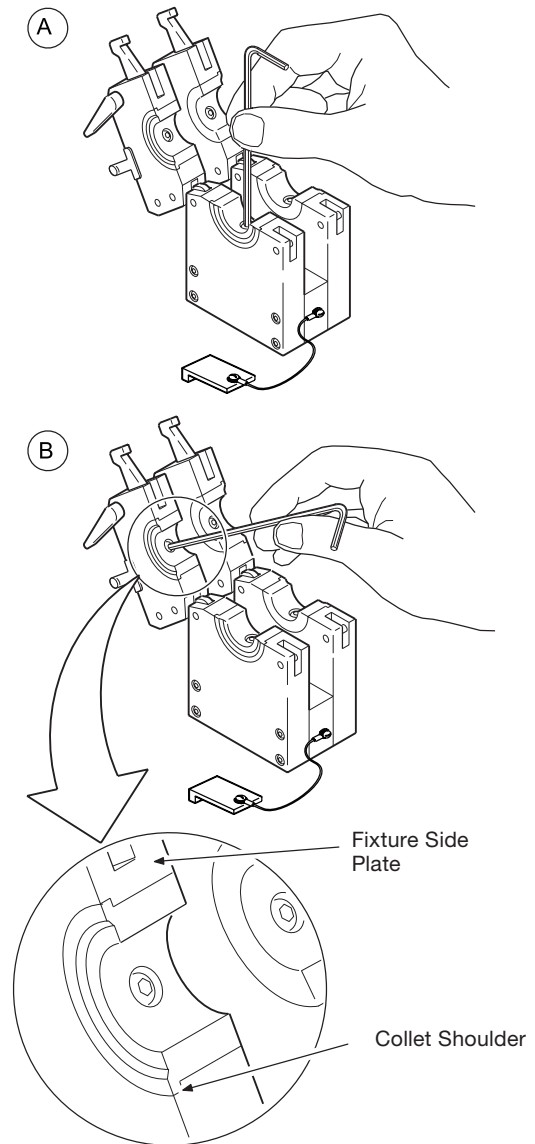


Figure 13 *Installing Collets*

Aligning the Work Pieces in the Tube Fixture Block

1. Place the centering gage in one side of the tube fixture block. The centering gage must span the width of the collet. Verify that the centering gage is positioned correctly for either the thick or thin side plate. See Figure 14.
2. Butt one work piece against the centering gage. See Figure 15(A).
3. Lock down the top side plate. See Figure 15(B).
4. Remove the centering gage.

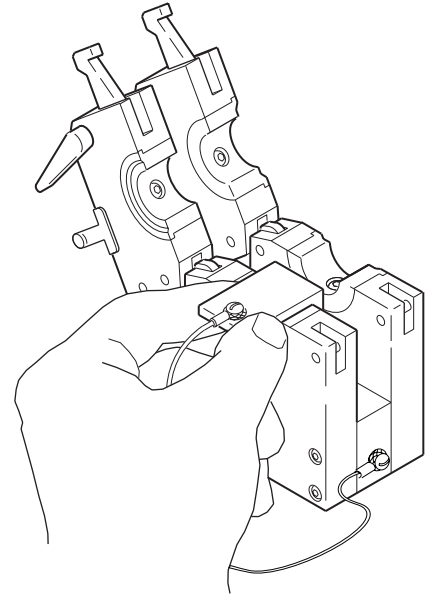


Figure 14 Place the Centering Gage

Note:

When welding a Swagelok ATW fitting to tubing, butt the tubing against the centering gage first.

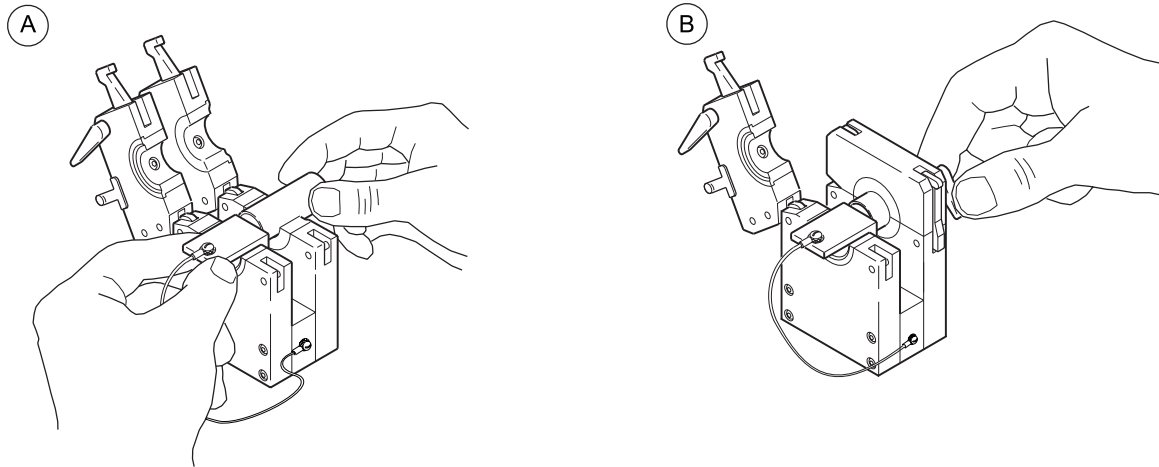


Figure 15 Placing First Work Piece in the Fixture Block

5. Butt the second work piece against the first work piece, and lock down the top side plate. See Figure 16.
6. Inspect 360° around the weld joint for fit and alignment. If the alignment is not correct proceed to the next section.

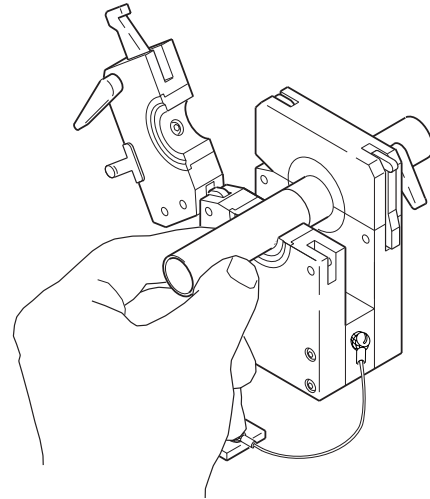


Figure 16 Placing Second Work Piece

Adjusting the Tube-to-Tube Fixture Block

In order to maintain precise alignment of the work pieces in the fixture block, the side plates must be periodically aligned.

To align the fixture block, follow these steps:

1. Turn the fixture block over and locate the directional arrows on the plenum. The arrows point to the appropriate side plate. See Figure 17.
2. Loosen the two alignment knobs just enough to loosen the side plate from the plenum. See Figure 17.
3. Turn the fixture block upright and release both levers and open both sides of the fixture block.
4. Place a straight length of tubing (minimum length 1.50 in [38,1 mm]) in the collets such that it rests across both side plates.
5. Close and lock the side plate that is not adjustable. See Figure 18.
6. Lock down the top of the loosened side plate.
7. Tighten the alignment knobs. Take care to tighten the knobs evenly to prevent the side plate from slipping.
8. Open the side plates and remove the tubing.

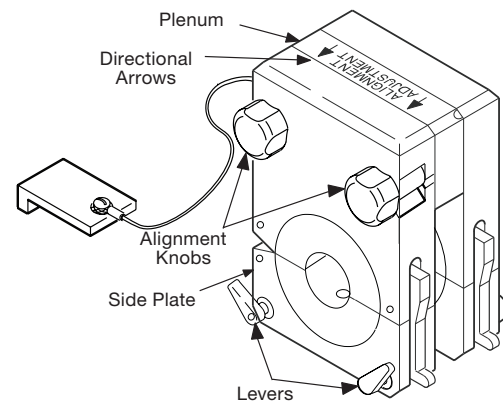


Figure 17 Loosening the Side Plate

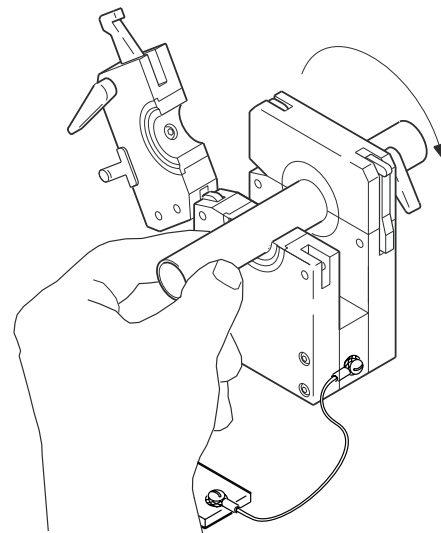


Figure 18 Placing the Tubing

Adjusting the Fixture Block

The modular design of the Series 20 Fixture Block allows you to assemble the block to meet a variety of welding requirements.

To align tubing in the fixture block follow these steps:

1. Loosen the alignment knobs. See Figure 19.
2. Align the tubing with the fitting. See Figure 20.
3. Tighten the alignment knobs.

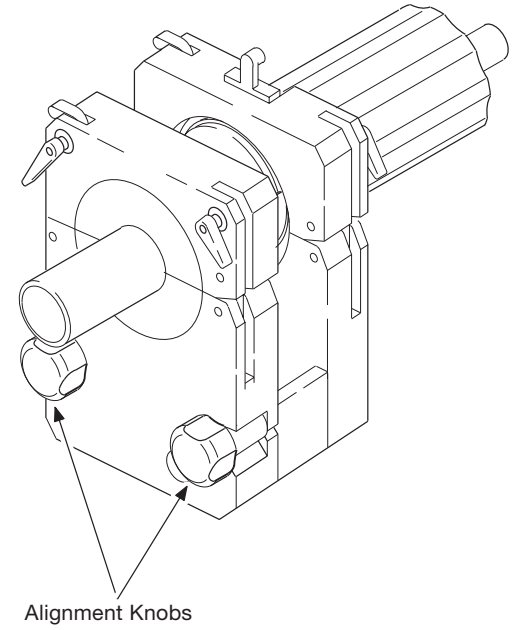


Figure 19 Loosen the Alignment Knobs

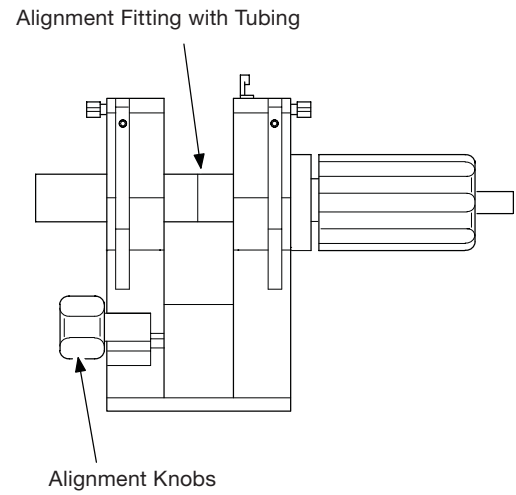


Figure 20 Aligning the Tubing

Mating the Weld Head to the Fixture Block

1. Rotate the locking lever on the weld head counter-clockwise until it stops. See Figure 21.
2. Insert the weld head into the fixture block. See Figure 22(A).
3. Rotate the locking lever clockwise to secure the weld head. See Figure 22(B).

Operating the Weld Head

Operate the weld head using the following parameters:

Shield Gas Flow Rate std ft ³ /hr (std L/min)	20 to 40 ^① (9,4 to 18,8)
Prepurge and Postpurge Minimum Time in Seconds	30 ^②
Maximum Recommended Average Amps	95 Amps at 50% Duty Cycle ^③

- ① Set flow to higher rates when welding at high currents.
- ② Flow should be continuous for cooling when welding at high currents.
- ③ Output amps may be reduced when using optional weld head extension cables.

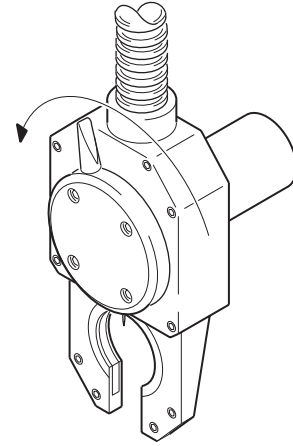


Figure 21 Releasing the Locking Lever

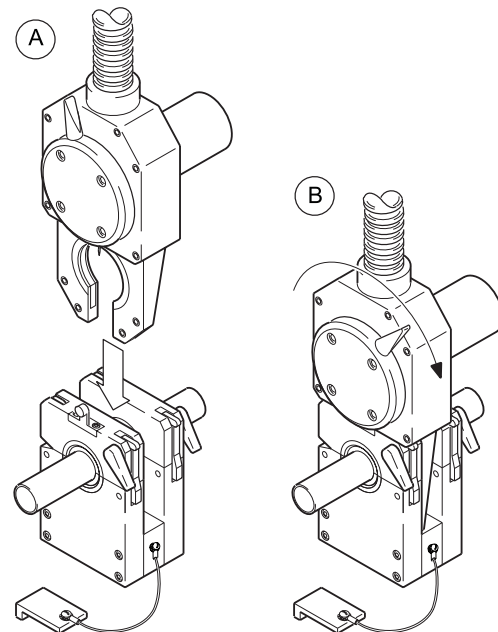


Figure 22 Mating the Weld Head to the Fixture Block

Maintenance

To ensure your Swagelok Welding System (SWS) equipment is always in proper working order, you must perform periodic maintenance on the system components.

This section describes the procedures necessary for maintaining the fixture blocks and weld heads.

For detailed part drawings and information, refer to the Parts Drawings section at the end of this manual.

Perform fixture block maintenance daily and after every 40 hours of welding time. Depending on usage and wear, maintenance may be performed before the 40-hour interval.

Note:

If you experience problems while performing the procedures in this section, refer to the Troubleshooting section in the power supply user manual or contact your authorized Swagelok representative.

Fixture Block Daily Maintenance

At the start of each work day:

1. Inspect the fixture block for cleanliness, wear and damage. See Figure 23.
2. Remove dirt, carbon, and vapor deposits from the fixture block with a clean, soft cloth. A solvent such as alcohol or acetone can be used. Remove heavier deposits with a fine-grit abrasive pad.

At the end of each workday, clean and store the fixture block in a dry place.

Fixture Block Periodic Maintenance

Every 500-700 welds:

1. Inspect and clean the collets. See Figure 23(A).
2. Check for scratches and dents.
3. Remove dirt and oxides from all surfaces of the collet with a soft stainless steel wire brush.
4. Remove any oxides from the non-anodized mating surfaces of the side plates with a fine-grit abrasive pad. See Figure 23(B).
5. Remove any dirt and oxides from the inside surfaces of the side plates with a clean, soft cloth. See Figure 23(C). Remove heavier deposits with a fine-grit abrasive pad.
6. Check the lever cam and latch for smooth operation. See Figure 24.
 - a. Remove lever cam by removing the set screw from the latch and pulling the lever cam from the fixture block.
 - b. Clean the lever cam if necessary.
 - c. Replace the set screw and verify that it is locked tightly in position.

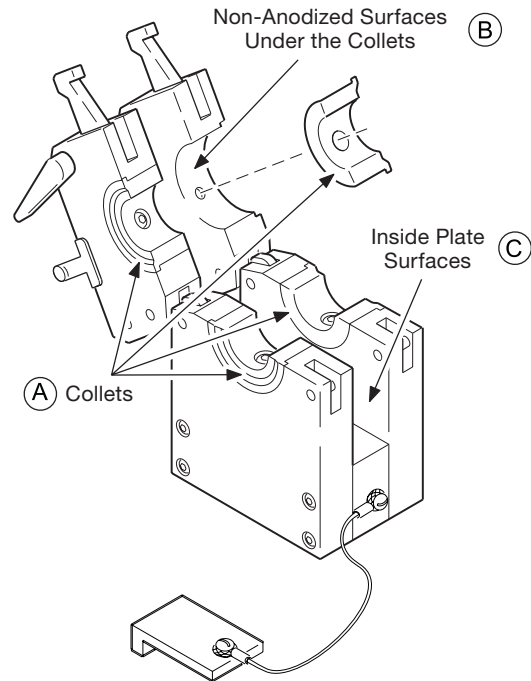


Figure 23 Cleaning the Collets and Collet Mounting Surfaces

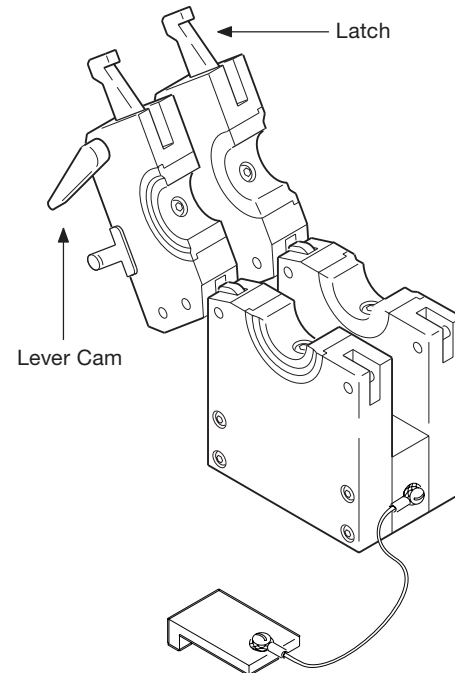


Figure 24 Lever Cam and Latch

7. Verify the fixture block will properly secure the work piece.
 - a. Install collets into one side of the fixture block.
 - b. Insert nominal sized tubing and close the fixture block using the lever cams.
 - c. Verify the tubing does not rotate in the collets.
 - d. Verify the tubing does not slide side-to-side in the collets.
 - e. Verify the tubing does not move up and down or left to right in the collets.
 - f. Repeat for the other side of the fixture block.

Contact your authorized Swagelok representative to return the fixture block for service.

Note:

If any wear or damage is found or the fixture block is not properly securing the work piece, the fixture block should not be used.

Weld Head Daily Maintenance

Perform weld head maintenance daily and every 500 to 700 welds. Depending on usage and wear, maintenance may be performed before the 500-weld mark.

At the start of each work day:

1. Inspect the weld head for cleanliness. Pay close attention to the rotor area.
2. Press **JOG**. Check the rotor for smooth rotation. Press **JOG** to stop the rotor motion. If the rotation is erratic or noisy, disassemble the weld head and clean the rotor, gears, and brush. See **Weld Head Disassembly and Cleaning**.
3. Press **HOME** to return the rotor to the HOME position.

At the end of each work day:

1. Remove dirt, carbon, and vapor deposits from the weld head with a clean, soft cloth and a solvent such as isopropyl alcohol.
2. Store the weld head in a clean, dry place.



WARNING!
Disconnect the **WORK** and **ELECTRODE** cables from the power supply before performing the adjustment or maintenance.

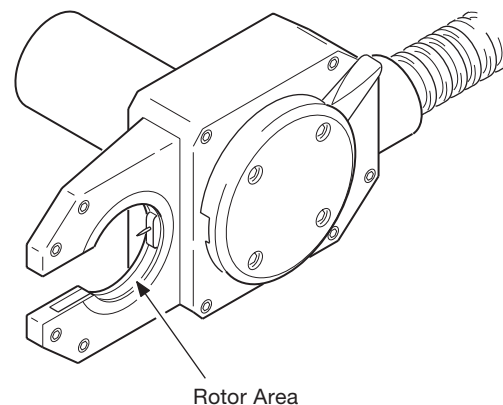


Figure 25 Inspect Exposed Surfaces of the Weld Head



Caution!
Do not use lubricants inside the weld head.



Caution!
The rotor will move when **JOG** is pressed. The rotor is a potential pinch point.

Weld Head Disassembly and Cleaning

This section describes how to disassemble the weld head and rotor.

Weld Head

To disassemble the weld head, follow these steps:

1. Blow any loose material from the weld head assembly with clean, low-pressure air.
2. Remove the four screws, locking ring, and locking ring plate. See Figure 26.
3. Remove the work extension screw, lock washer, and the work extension. Inspect the work extension for pitting, wear, or damage. See Figure 27.
4. Replace work extension if necessary. Refer to **Parts Drawings** for part ordering information.

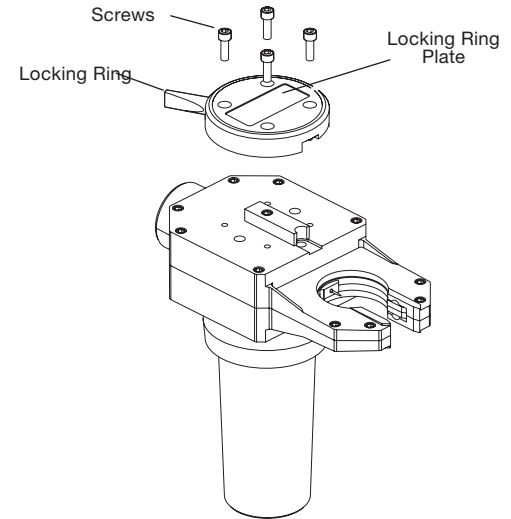


Figure 26 Removing the Locking Ring and Locking Ring Plate

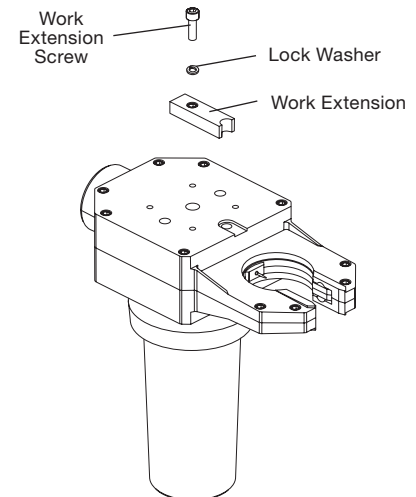


Figure 27 Removing the Work Extension

5. Remove the weld head housing screws from the housing. Using a slight rocking motion, carefully separate the work side of the weld head housing from the motor side. See Figure 28.
6. Carefully separate the weld head housing halves so that internal components are not damaged.
7. Remove the rotor from the motor side of the weld head housing. See Figure 29.
8. Carefully lift the power block subassembly out of the motor side of the weld head housing. See Figure 30.

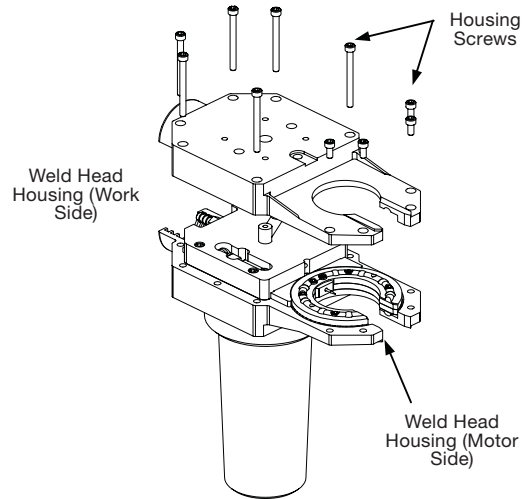


Figure 28 Removing the Locking Ring Half of the Weld Head Housing

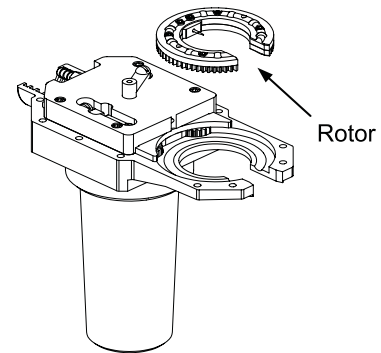


Figure 29 Removing the Rotor

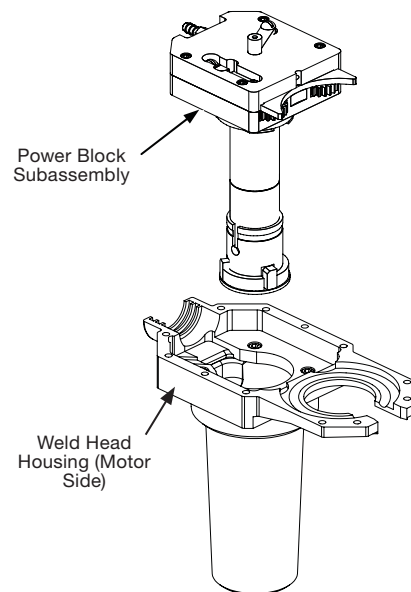


Figure 30 Removing the Power Block Assembly

9. Examine the brush. See Figure 31.

Inspect and clean the brush using the following steps:

- a. Check the brush for excessive wear.
- b. Verify that the brush has a groove. Replace the brush if the groove is not present. Refer to **Parts Drawings** for part ordering information.
- c. Remove any oxidation from the brush with a fine-grit abrasive pad.

10. Blow any loose material from the power block assembly with clean, low-pressure air.

11. Verify that the two power strap screws are tight. See Figure 32.

12. Verify that the work plate screw is tight and free from excessive oxidation. See Figure 33. Clean the work plate with a fine-grit abrasive pad if necessary.

13. Inspect the gears for wear and replace if damaged. Refer to Parts Drawings for part ordering information.

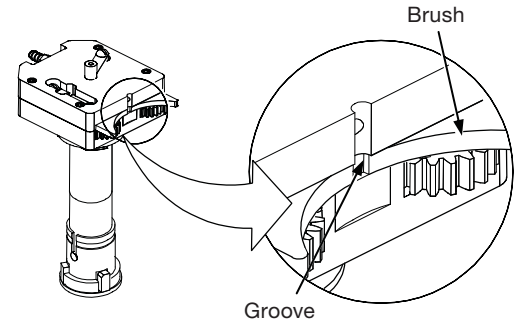


Figure 31 Inspecting the Brush

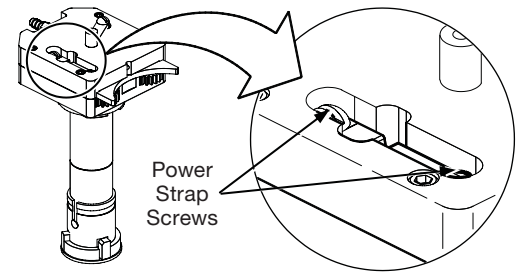


Figure 32 Inspecting the Power Strap Screws

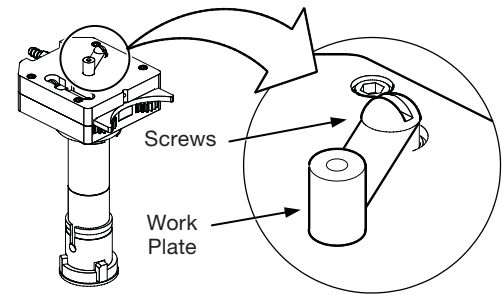


Figure 33 Inspecting the Work Plate and Screws

Rotor

To disassemble the rotor, follow these steps:

1. Remove the rotor screws and the electrode clamping plate screws from the rotor. Remove the electrode from the ceramic insert. See Figure 34.
2. Place the rotor on a clean, dry surface with the rotor opening facing up. Separate the gear ring from the brush ring. See Figure 35.
3. Completely separate the gear ring from the brush ring as shown in Figure 36. Lay the rings flat on the work surface.
4. Remove the ball bearings from the gear and brush rings.
5. Inspect the ball bearings for wear and damage. Replace if necessary.
6. If the ball bearings are dirty, clean them with isopropyl alcohol or cleaning solution. Dry the balls thoroughly.

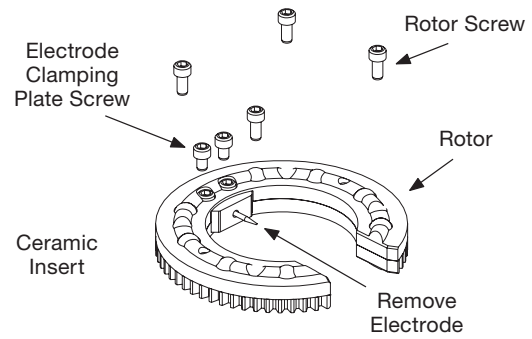


Figure 34 Removing the Rotor and Electrode Clamping Plate Screws

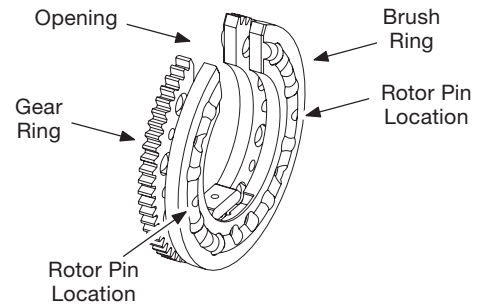


Figure 35 Placing the Rotor on the Work Surface

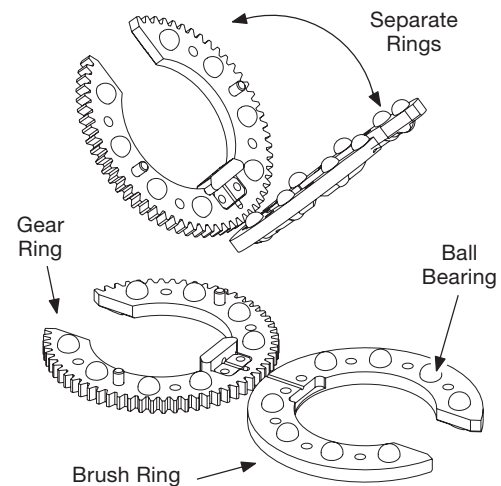


Figure 36 Separating the Gear Ring from the Brush Ring

7. Remove the ceramic insert. See Figure 37.
8. Inspect the ceramic insert. If it has carbon or other deposits, clean it with a fine-grit abrasive pad or soft nylon brush.
9. Remove the electrode clamping plate. Clean it with a fine-grit abrasive pad. See Figure 38.
10. Inspect the brush and gear rings for dirt or other deposits. Clean the rings with a fine-grit abrasive pad or soft stainless steel wire brush.
11. Dry all parts with clean, low-pressure air before reassembly.

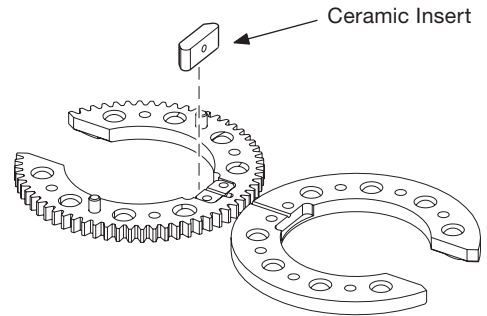


Figure 37 Removing the Ceramic Insert

Weld Head Assembly

Assembly of the weld head and rotor is the reverse of the disassembly procedures.

To assemble the weld head, follow these steps:

1. Complete the steps in reverse order in **Rotor**.
2. Complete the steps in reverse order in **Weld Head Disassembly and Cleaning**.
3. Verify proper rotor position. See Figure 39.

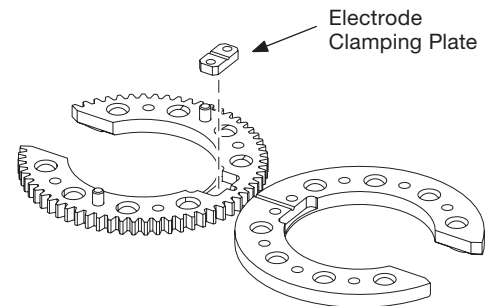


Figure 38 Removing the Electrode Clamping Plate



Caution!
Do not pinch any internal wiring during reassembly.

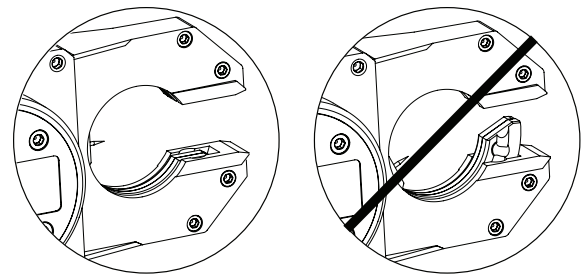


Figure 39 Rotor Position

Parts Drawings

This section includes exploded assembly drawings and associated parts lists. These drawings are provided as a guide to identifying part names. For specific part ordering information, contact your authorized Swagelok representative.

The parts identified in this section include:

- SWS-20H Weld Head
- SWS-20H Motor and Power Block Assembly
- SWS-20H Rotor Assembly
- SWS-20TFB-A Tube Fixture Block
- SWS-20FSP1R Special Purpose Side Plate
- SWS-20FSP1L Special Purpose Side Plate

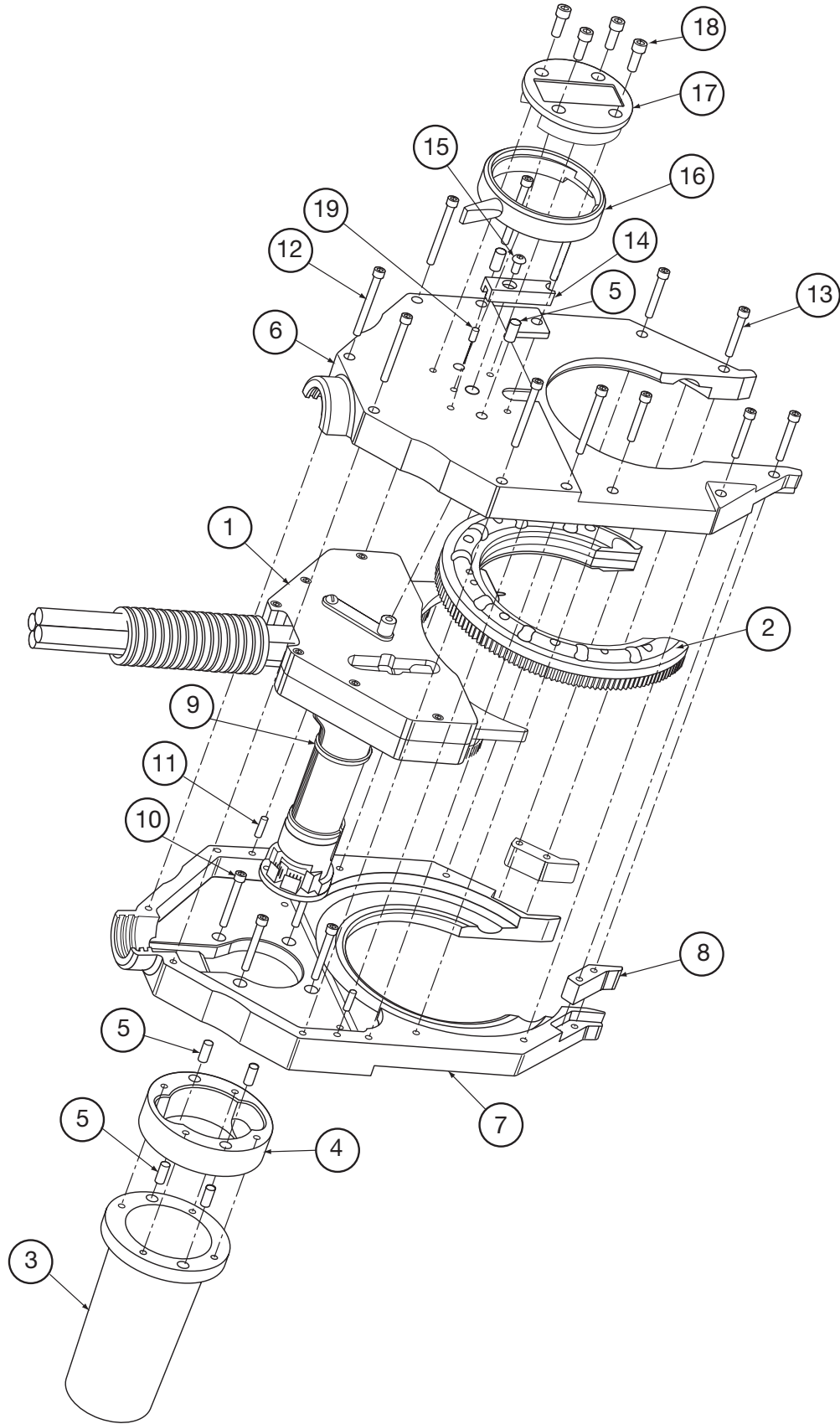


Figure 40 SWS-20H Weld Head

Table 8 SWS-20H Weld Head Parts List

Reference No.	Description	Ordering No.	Minimum Order Quantity
1	See Power Block Assembly Drawing	*	*
2	Rotor Assembly	21210	1
3	Motor Cover	SWS-WH-MT-CVR	1
4	Weld Head Motor Cover Extender	SWS-WH-MT-CVR-EXT	1
5	SS Dowel Pin	*	10
6	Housing (Work Side)	SWS-20H-D-WSH	1
7	Housing (Motor Side)	SWS-20H-D-MSH	1
8	Bearing Pad	21075	1
9	Motor Assembly	*	*
10	SS Socket Head Cap Screw, 6-32 x 1.000 in.	188-SCSA-138-32-1000	10
11	SS Dowel Pin	*	*
12	SS Socket Head Cap Screw, 4-40 x 1.250 in.	13162	10
13	SS Socket Head Cap Screw, 4-40 x 0.812 in.	13161	10
14	Work Extension Bar	21054	1
15	SS Button Head Screw, 4-40 x 0.250 in. w/ nylon	188-21066-RCEU	10
16	Locking Ring	21065	1
17	Locking Ring Plate	SWS-WH-LK-RNG-PLT	1
18	Plastic Socket Head Cap Screw, 6-32 x 0.437 in.	13105	10
19	SS Dowel Pin	*	*
20	Split Lock Washer	13208	10

For part ordering information, contact your authorized Swagelok representative.

* Not available as a field replacement spare part.

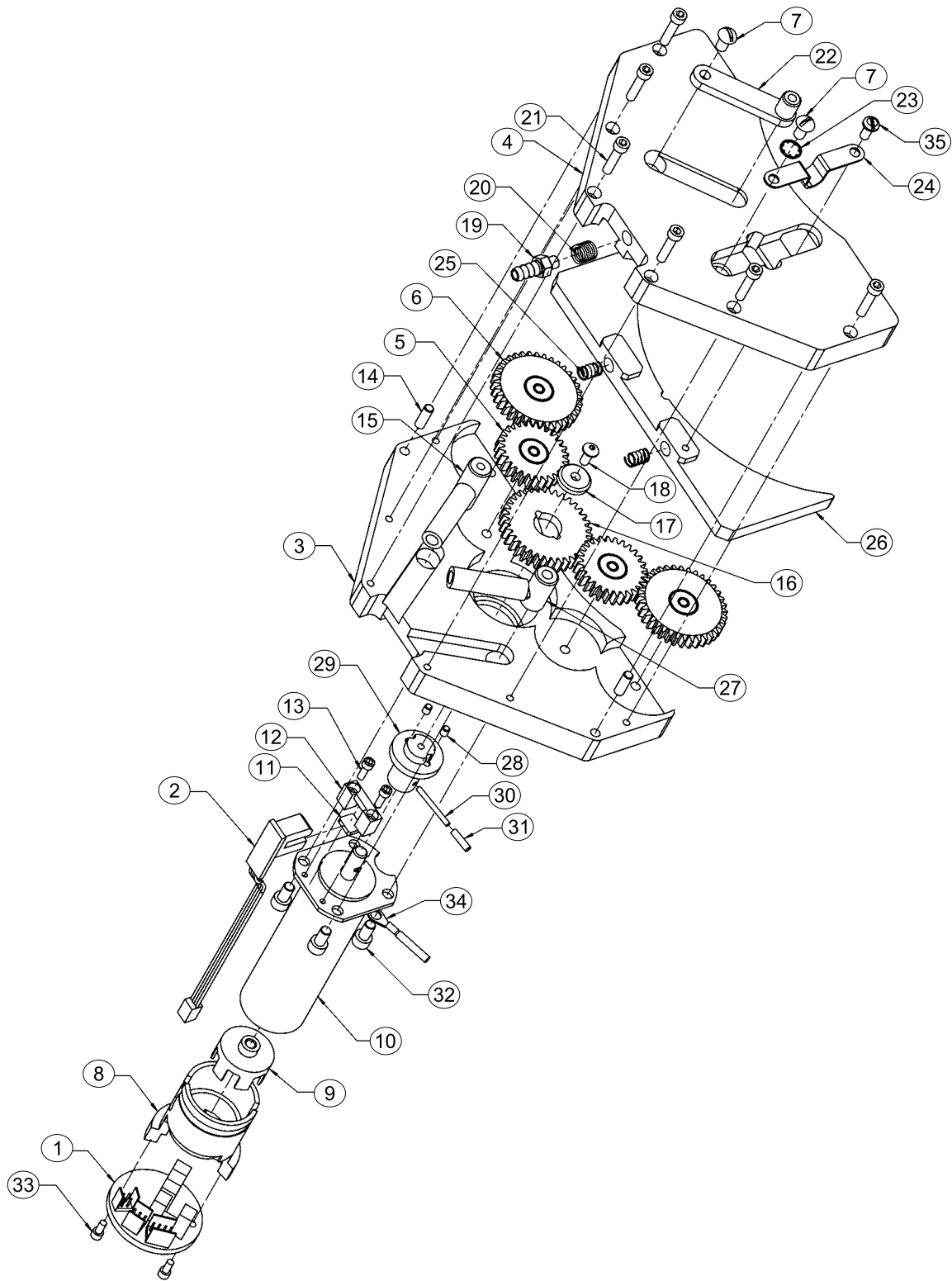


Figure 41 SWS-20H Motor and Power Block Assembly

Table 9 SWS-20H Motor and Power Block Assembly Parts List

Reference No.	Description	Ordering No.	Minimum Order Quantity
1	Encoder Circuit Board	10708-A-RCEU	1
2	Home Sensor	10709-A	1
3	Power Block (Motor Side)	SWS-20H-MSPB	1
4	Power Block (Ground Side)	SWS-20H-GSPB	1
5	Gear Assembly	10009-5	1
6	Gear Assembly	10009-6	1
7	SS Round Head Screw, 6-32 x 0.250 in.	188-13124-RCEU	10
8	Sleeve Sensor Mount	*	*
9	Encoder Wheel	*	*
10	Motor	*	*
11	Home Sensor Mount Shim	11126	1
12	Home Sensor Mount	11125	1
13	SS Socket Head Cap Screw, 2-56 x 0.375 in.	13145	10
14	SS Dowel Pin	*	*
15	Work Post	*	*
16	Drive Gear	SWS-20H-DR-GR	1
17	Retaining Washer	SWS-WH-DR-RET-WSHR	1
18	SS Button Head Cap Screw, 4-40 x 0.250 in.	13167	10
19	Purge Bayonet	B-BN4-K62	1
20	Threaded Insert	*	*
21	SS Socket Head Cap Screw, 4-40 x 0.500 in.	13163	10
22	Work Plate	11060	1
23	SS #6 Internal Tooth Lock Washer	13171	10
24	Power Strap	11117-RCEU	1
25	Brush Spring	21262	10
26	Brush	SWS-20H-BRUSH	1
27	Power Post	*	*
28	SS Dowel Pin, 0.093 x 0.125 in.	13133	10
29	Drive Coupler	*	*
30	Drive Coupler Pin	*	*
31	Drive Coupler Pin Sleeve	*	*
32	SS Socket Head Cap Screw, 6-32 x 0.250 in.	13174	10
33	SS Socket Head Cap Screw, 2-56 x 0.187 in.	13111	10
34	Wire Ring Terminal	*	*
35	SS Slotted Head Screw, 4-40 x 0.250 in.	188-21066-RCEU	10

For part ordering information, contact your authorized Swagelok representative.

* Not available as a field replacement spare part.

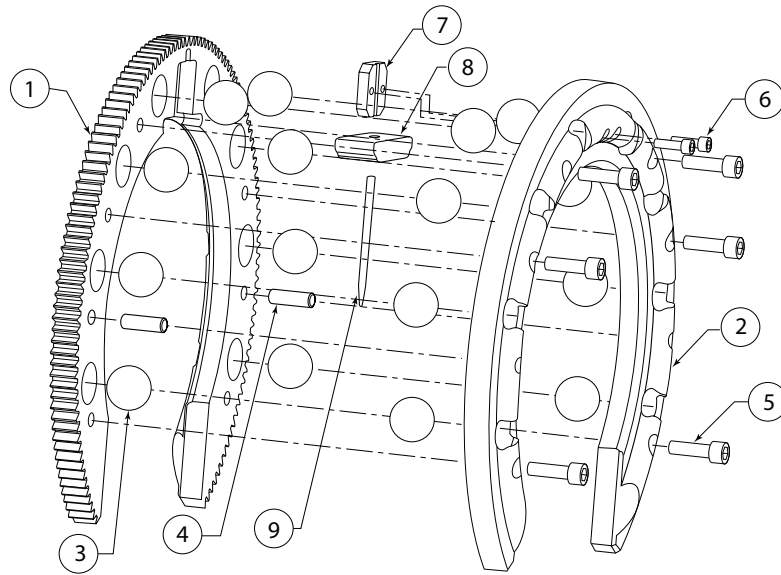


Figure 42 SWS-20H Rotor Assembly

Table 10 SWS-20H Rotor Assembly Parts List

Reference No.	Description	Ordering No.	Minimum Order Quantity
1	Rotor Gear Ring	21304	1
2	Rotor Brush Ring	21116	1
3	Plastic Bearing, 0.375 in.	11154	10
4	Dowel Pin	*	*
5	SS Socket Head Cap Screw, 4-40 x 0.375 in.	13114	10
6	SS Socket Head Cap Screw, 2-56 x 0.250 in.	13176	10
7	Electrode Clamping Plate	11306	1
8	Ceramic Insert	11210	1
9	See Electrode Chart (page 4)	-	-

For part ordering information, contact your authorized Swagelok representative.

* Not available as a field replacement spare part.

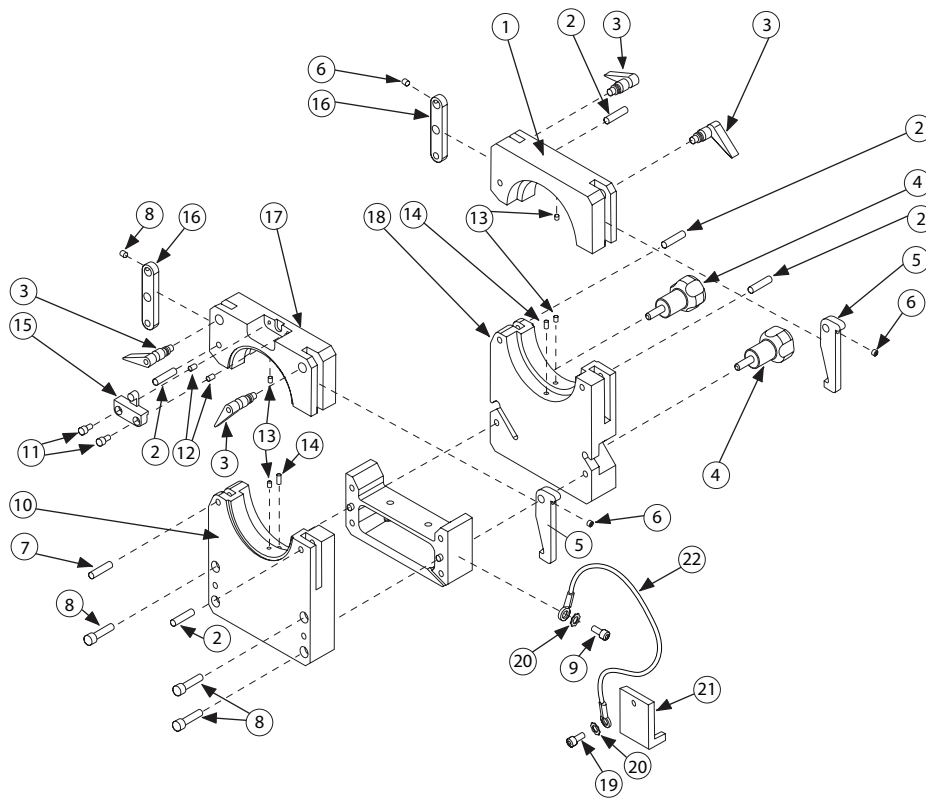


Figure 43 SWS-20TFB-A Tube Fixture Block

Table 11 SWS-20TFB-A Tube Fixture Block Parts List

Reference No.	Description	Ordering No.	Minimum Order Quantity
1	Side Plate Assembly (right)	SWS-20TSPR-A	1
2	Dowel Pin	*	*
3	Lever Cam Assembly	12308-1	1
4	Knob	12316	1
5	Latch	12307	1
6	SS Set Screw, 6-32 x 0.156 in., modified	12306	10
7	Plenum Assembly	SWS-20BPLEN	1
8	SS Socket Head Cap Screw, 10-24 x 1.000 in.	13184	10
9	SS Socket Head Cap Screw, 4-40 x 0.250 in.	13112	10
10	Side Plate Assembly (left)	SWS-20TSPL-A	1
11	SS Flat Head Screw, 6-32 x 0.313 in.	13318	10
12	Threaded Insert	*	*
13	Threaded Insert	*	*
14	Dowel Pin	*	*
15	Locking Tab	12360	1
16	Hinge	*	*
17	Side Plate Assembly (left)	SWS-20TSPL-A	1
18	Side Plate Assembly (right)	SWS-20TSPR-A	1
19	SS Socket Head Cap Screw, 4-40 x 0.187 in.	13207	10
20	SS #4 External Star Washer	13171	10
21	Centering Gage	SWS-20CG-A	1
22	12 in. Lanyard	13231	1
23	SS #10 External Star Washer	13131	10

For part ordering information, contact your authorized Swagelok representative.

* Not available as a field replacement spare part.

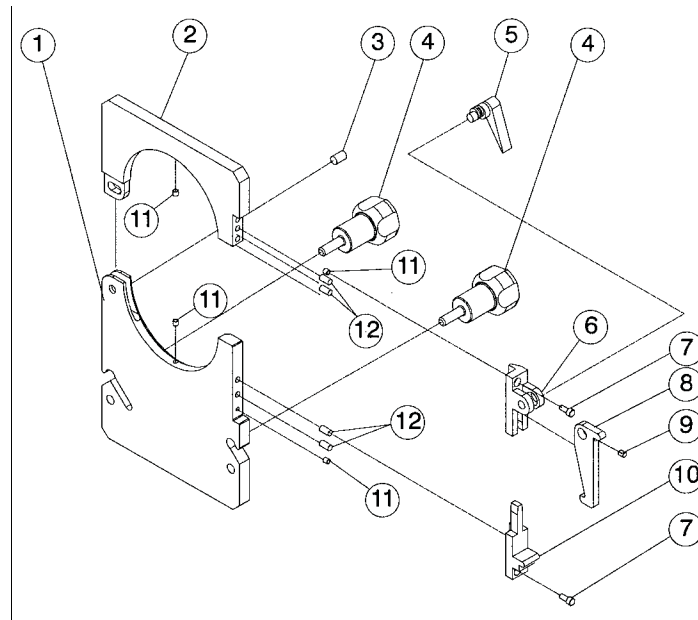


Figure 44 SWS-20FSP1R Special Purpose Side Plate

Table 12 SWS-20FSP1R Special Purpose Side Plate Parts List

Reference No.	Description	Ordering No.	Minimum Order Quantity
1	Thin Side Plate (right bottom)	*	*
2	Thin Side Plate (right top)	*	*
3	Dowel Pin	*	*
4	Knob	12316	1
5	Lever Cam Assembly	12130-2	1
6	Latch Holder (right top)	12317	1
7	SS Socket Head Cap Screw, 4-40 x 0.250 in.	13112	10
8	Latch	12146	1
9	SS Set Screw, 4-40 x 0.125 in.	12132	10
10	Latch Holder (right bottom)	12314	1
11	Threaded Insert	*	*
12	Dowel Pin	*	*

For part ordering information, contact your authorized Swagelok representative.

* Not available as a field replacement spare part.

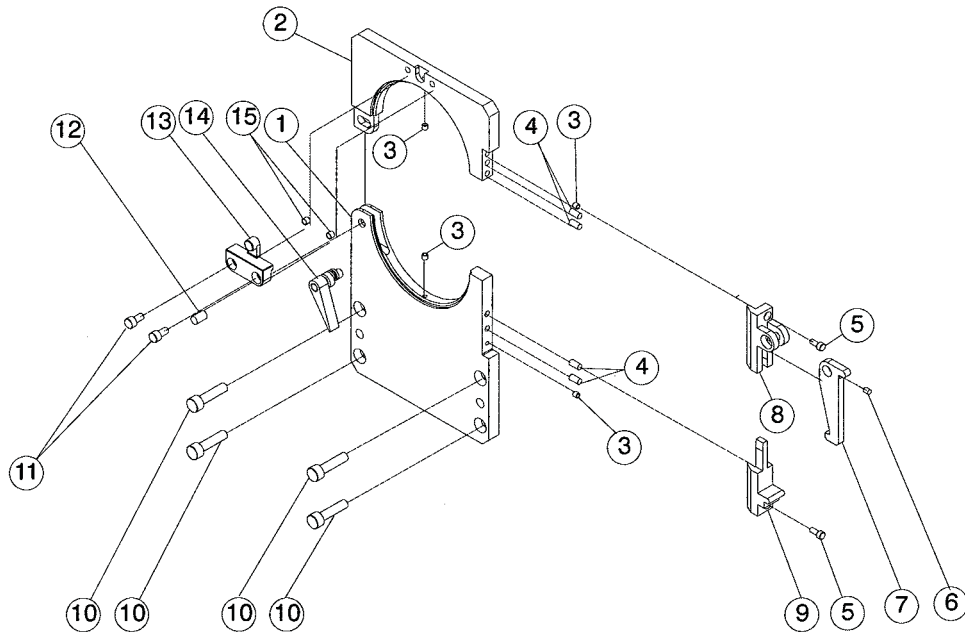


Figure 45 SWS-20FSP1L Special Purpose Side Plate

Table 13 SWS-20FSP1L Special Purpose Side Plate Parts List

Reference No.	Description	Ordering No.	Minimum Order Quantity
1	Thin Side Plate (left bottom)	*	*
2	Thin Side Plate (left top)	*	*
3	Threaded Insert	*	*
4	Dowel Pin	*	*
5	SS Socket Head Cap Screw, 4-40 x 0.250 in.	13112	10
6	SS Set Screw, 4-40 x 0.125 in.	12132	10
7	Latch	12146	1
8	Latch Holder (left top)	12313	1
9	Latch Holder (left bottom)	12315	1
10	SS Socket Head Cap Screw, 10-24 x 0.625 in.	13118	10
11	SS Flat Head Screw, 6-32 x 0.313 in.	13318	10
12	Dowel Pin	*	*
13	Locking Tab	12360	1
14	Lever Cam Assembly	12130-2	1
15	Threaded Insert	*	*

For part ordering information, contact your authorized Swagelok representative.

* Not available as a field replacement spare part.

Warranty Information

Swagelok products are backed by The Swagelok Limited Lifetime Warranty. For a copy, visit swagelok.com or contact your authorized Swagelok representative.

シリーズ20 ウェルド・ヘッド



ユーザー・マニュアル

目次

ウェルド・ヘッド	47
フィクスチャー・ブロック	47
ウェルド・ヘッド運送用ケースの開梱	48
ウェルド・ヘッドの取り付け	49
ウェルド・ヘッドへの電極の取り付け	50
電極の形状	51
アーク・ギャップ・ゲージ設定値の算出	52
アーク・ギャップの設定	53
アーク・ギャップ・ゲージの設定	53
電極のローターへの挿入	55
アーク・ギャップの設定	56
溶接物の準備	57
溶接物の固定	58
メンテナンス	65
構成部品の分解図	75

ウェルド・ヘッド

Swagelok ウェルディング・システム (SWS) シリーズ 20 ウェルド・ヘッドは、チューブ外径サイズ 1/2 インチから 2 インチまで、12 mm から 52 mm まで、パイプ・サイズ 1/4 インチから 1 1/4 インチまで、10.2 mm から 48.3 mm までの溶接を一貫して正確に行います。

ウェルド・ヘッド内の直流モーターによってローターが起動し、溶接接合部の周りでタングステン電極を回転させます。ウェルド・ヘッド内の光学回路はパワー・サプライに正確なフィードバックを送り、ローターのスピードを制御します。

ウェルド・ヘッド内の可動部品はすべて低摩擦装置に取り付けられているため、一貫してスムーズに作動します。

スプリング・ロード式フローティング・ブラシは、常にローター円周のほぼ 3 分の 1 に接触しています。このため、ローターおよび電極への電気伝導性が常に一定となります。

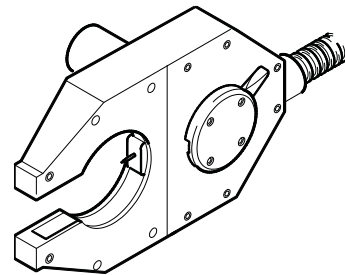


図 1：シリーズ 20 ウェルド・ヘッド

フィクスチャー・ブロック

SWS シリーズ 20 フィクスチャー・ブロックは、チューブ、継手、バルブ・ボディを正確に配列して保持します。モジュラー・デザインを採用しているため、異なるサイド・プレートを使用して溶接に必要な形状を作成することができます。

フィクスチャー・ブロックはウェルド・ヘッドと分離しているため、作業前の溶接物の位置合わせや固定が容易です。また、複数のフィクスチャー・ブロックを使用することで、生産性の向上を図ることができます。

各フィクスチャー・ブロックは、さまざまなサイズの溶接物に対応します。ユニバーサル・コレット・インサート (UCI) とフィクスチャー・ブロックを組み合わせると、溶接物のサイズに適合させることができます。コレットは、呼び外径公差 0.13 mm 以内のチューブおよび継手を確実に固定します。なお、コレットは薄肉パイプにも使用することができます。コレットは容易に交換することができるため、フィクスチャー・ブロックはさまざまな溶接要件にも柔軟に対応します。

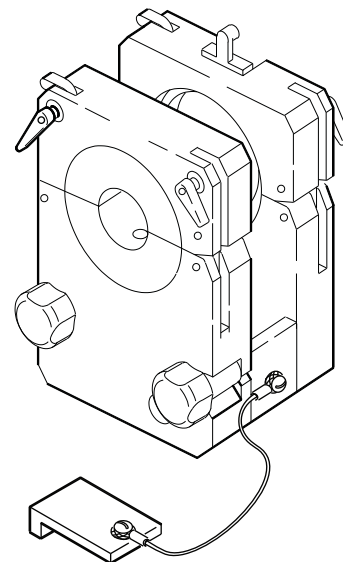


図 2：シリーズ 20 フィクスチャー・ブロック

ウェルド・ヘッド運送用ケースの開梱

以下のウェルド・ヘッド部品は、クッション材を施した運送用ケースに収納されています

- ウェルド・ヘッド
- アーク・ギャップ・ゲージ
- 電極バック
- 工具セット

Swagelok シリーズ 20 ウェルド・ヘッド入荷の際は、以下の点についてご確認ください。

1. 運送用ケースに損傷がないか検査します。
2. 運送用ケースから部品を取り出します。
3. 部品に損傷がないか点検します。
4. ウェルド・ヘッドのシリアル・ナンバーと、運送用ケースに記載のシリアル・ナンバーが一致していることを確認します。
5. 型式番号、シリアル・ナンバー、納入日を「登録インフォメーション・フォーム」に記入します（フォームはパワー・サプライ・ユーザー・マニュアルに入っています）。

ウェルド・ヘッドの取り付け

ウェルド・ヘッドには、パワー・サプライに接続するコネクタが4つあります。

ケーブルには、以下の4つのコネクタがあります。

- ウェルド・ヘッド
- 電極（赤色）
- ワーク（緑色）
- ウェルド・ヘッド・シールド・ガス

以下の手順に従って、パワー・サプライの側面パネルに、4つのコネクタを接続してください（図4参照）。

1. ウェルド・ヘッドを設置します。
2. 1/4回転コネクタの溝を、側面パネルの「WELD HEAD（ウェルド・ヘッド）」と表示されたソケットの小さなタブに合わせます。コネクタをソケットに差し込みます。コネクタ固定用スリーブを時計回りに手でまわして締め付けます。この接続により、ウェルド・ヘッドに必要な制御信号が伝わります。
3. 赤色のコネクタを、側面パネルの「ELECTRODE（電極）」と表示されたソケットに完全に底に当たるまで差し込みます。コネクタを時計回りに1/4回転まわして固定します。この接続が、ウェルド・ヘッドの負（－）のターミナルです。
4. 緑色のコネクタを、側面パネルの「WORK（ワーク）」と表示されたソケットに差し込みます。コネクタを時計回りに1/4回転まわして固定します。この接続が、ウェルド・ヘッドの正（＋）のターミナルです。
5. ウェルド・ヘッド・シールド・ガス用コネクタを、「TO WELDHEAD（ウェルド・ヘッドへ）」と表示された Swagelok クイック・コネクツ・システムに差し込みます。コネクタがしっかりと装着されていることを確認してください。この接続により、パワー・サプライ内のマス・フロー・コントローラー（MFC）を経由して、シールド・ガスがウェルド・ヘッドに供給されます。

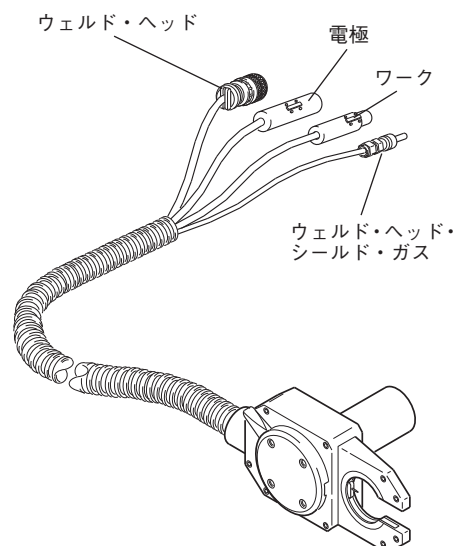


図3：ウェルド・ヘッド

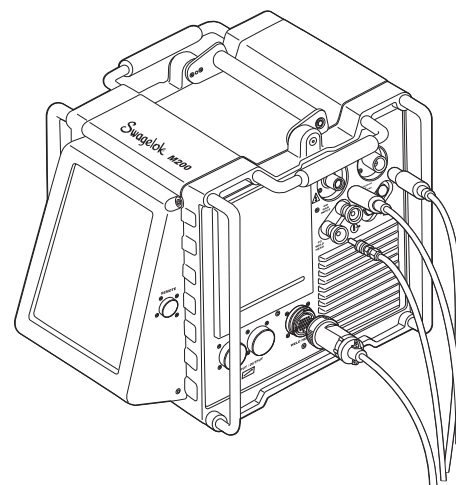


図4：ウェルド・ヘッド・コネクタ



注意！

ウェルド・ヘッド・コネクタが適合するソケットに完全に底に当たるまで差し込まれ、スリーブが締め付けられていることをご確認ください。

注：

ウェルド・ヘッド・シールド・ガス用コネクタには必ず、シングル・エンド・シャット・オフ（SESO）型 Swagelok クイック・コネクツ・システム（型番：SS-QC4-S-400）をご使用ください。

ウェルド・ヘッドへの電極の取り付け

Swagelok ウェルド・ヘッドには電極パックが付属しています。以下の手順に従って、電極をウェルド・ヘッドに正しく取り付けてください。

適切な電極の選択

電極の長さおよび直径は、使用するウェルド・ヘッド・モデルおよび溶接物の外径サイズによって決まります。表 1：電極選定表を参照して、正しい電極を選んでください。

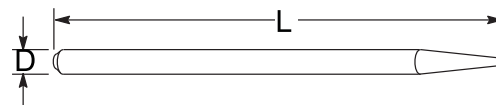


図 5：電極長さ／直径

表 1：電極選定表

電極型番	溶接物外径サイズ	パイプ・サイズ	電極長さ (L)	電極直径 (D)
CWS-C.062-1.630-P	1/2 インチ 3/4 インチ 12 mm 18 mm 22 mm	1/4 インチ 1/2 インチ 3/8 インチ	1.630 インチ (41.40 mm)	0.062 インチ (1.57 mm)
CWS-C.062-1.380-P	1 インチ 1 1/4 インチ 23 mm 25 mm 28 mm 35 mm	3/4 インチ 1 インチ	1.380 インチ (35.05 mm)	0.062 インチ (1.57 mm)
CWS-C.062-1.105-P	1 1/2 インチ 35 mm		1.105 インチ (28.07 mm)	0.062 インチ (1.57 mm)
CWS-C.062-.855-P	1 3/4 インチ 2 インチ 35 mm 40 mm 52 mm	1 1/4 インチ 1 1/2 インチ	0.855 インチ (21.72 mm)	0.062 インチ (1.57 mm)

電極の形状

この図は、スウェージロックが推奨する電極の形状を示しています。適切に研削された電極を使用すると、精度の高い溶接を繰り返し行うことができます。あらかじめ研削した電極につきましては、スウェージロック指定販売会社までお問い合わせください。ご注文の際は、構成部品リストをご参照ください。

電極型番は、以下のような構成となっています。

CWS - X.### - #.### - P

電極直径

パッケージ・コード

材質コード

電極長さ

C = セリウム

セリウムを含有した電極の材質タイプは、タングステンを98%とセリウムを2%含有した混合物で、一般に「2%セリウム」と呼ばれます。このタイプの電極は、特に清浄シールド・ガスを使用する場合に、トリウム含有率が2%の材質タイプよりも優れたアーク発生性能を示します。

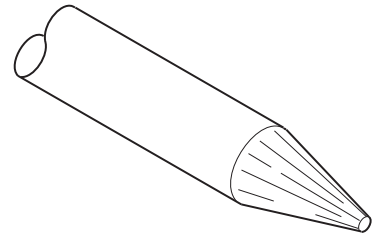
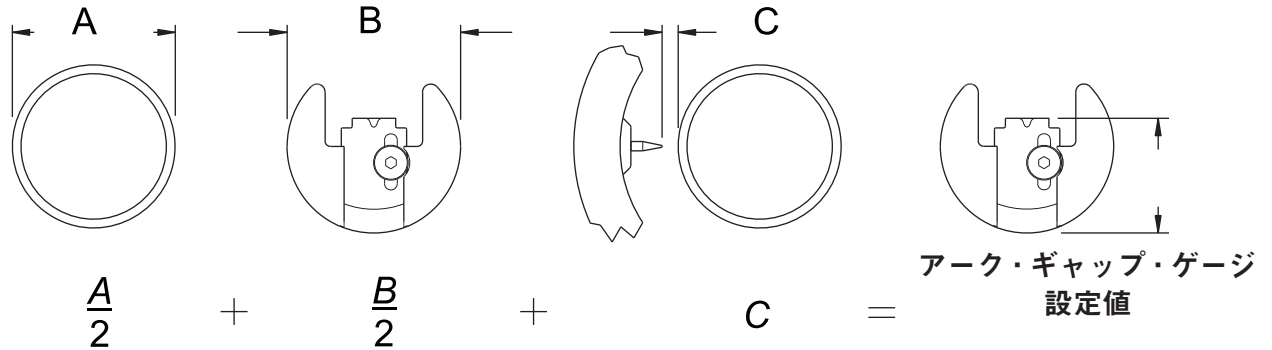


図6：タングステン電極

アーク・ギャップ・ゲージ設定値の算出

特定のアーク・ギャップ用のアーク・ギャップ・ゲージ設定値を算出する際は、以下の公式を使用してください。



ここで、

A = チューブまたは継手の溶接エンドの最大外径サイズ（溶接物の直径）

B = アーク・ギャップ・ゲージ直径

C = 使用するアーク・ギャップ

図7：アーク・ギャップ・ゲージ設定値の公式

例1：シリーズ20 ウェルド・ヘッド

チューブ突き合わせ溶接（1インチ・サイズー1インチ・サイズ）ー

最大外径サイズ	A = 1.000 インチ
アーク・ギャップ・ゲージ直径	B = 3.118 インチ
使用するアーク・ギャップ	C = 0.025 インチ

$$\frac{1.000 \text{ インチ}}{2} + \frac{3.118 \text{ インチ}}{2} + 0.025 \text{ インチ} = 2.084 \text{ インチ}$$

例2：シリーズ20 ウェルド・ヘッド

チューブ突き合わせ溶接（25 mm サイズー25 mm サイズ）ー

最大外径サイズ	A = 25.00 mm
アーク・ギャップ・ゲージ直径	B = 79.20 mm
使用するアーク・ギャップ	C = 0.50 mm

$$\frac{25.00 \text{ mm}}{2} + \frac{79.20 \text{ mm}}{2} + 0.50 \text{ mm} = 52.60 \text{ mm}$$

アーク・ギャップの設定

アーク・ギャップ設定を正しく行うことで溶接を容易にコントロールすることができるため、一貫した溶接を行うことができます。以下の手順に従って、アーク・ギャップの設定を行ってください。

アーク・ギャップは、ウェルド・ヘッドに付属しているアーク・ギャップ・ゲージを使用して設定します。アーク・ギャップ・ゲージは、使用するアーク・ギャップに合わせて調節してから、ローター内に取り付けます。アーク・ギャップ・ゲージを所定の位置にセットすることで、電極の位置がほぼ正確に決まります。

アーク・ギャップ・ゲージの設定

1. ノギスまたはマイクロメーターを使用して、溶接物の外径サイズを測定します。図8(A)をご参照ください。M200 パワー・サプライの場合、「自動作成」機能を使用すると、アーク・ギャップ・ゲージ設定値を自動で計算します。
2. 54 ページの表を参照して、呼び外径サイズを確認します。測定値に最も近い「実際の」外径サイズを見つけます。
3. アーク・ギャップ・ゲージを調節して 54 ページの表の設定値に合わせます。図8(B)をご参照ください。

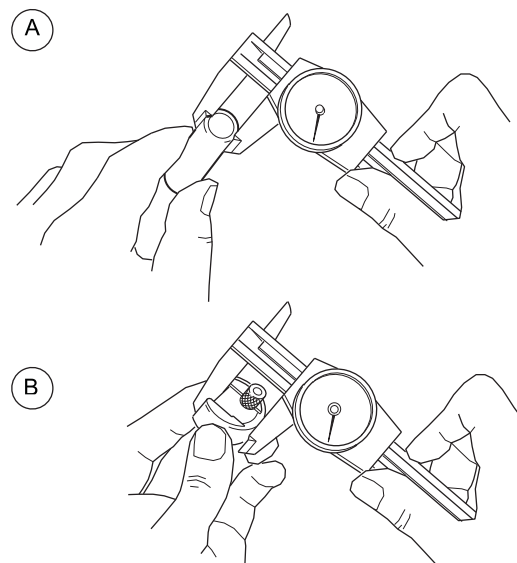


図8：アーク・ギャップ・ゲージを設定する

表 2 : SWS-20H (アーク・ギャップ・ゲージ直径 : 3.118 インチ)

呼び外径 サイズ (インチ)	実際の外径 サイズ (インチ)	0.030 インチの アーク・ ギャップ 設定値 (インチ)	0.040 インチの アーク・ ギャップ 設定値 (インチ)	0.050 インチの アーク・ ギャップ 設定値 (インチ)	0.060 インチの アーク・ ギャップ 設定値 (インチ)	0.070 インチの アーク・ ギャップ 設定値 (インチ)	0.5 mm の アーク・ ギャップ 設定値 (mm)	0.64 mm の アーク・ ギャップ 設定値 (mm)	0.76 mm の アーク・ ギャップ 設定値 (mm)	1.02 mm の アーク・ ギャップ 設定値 (mm)	1.14 mm の アーク・ ギャップ 設定値 (mm)
1/2	.500	1.839	1.849	1.859	1.869	1.879	46.45	46.59	46.97	46.97	47.09
3/4	.750	1.964	1.974	1.984	1.994	2.004	49.63	49.77	49.89	50.15	50.27
1	1.000	2.089	2.099	2.109	2.119	2.129	52.80	52.94	53.06	53.32	53.44
1 1/4	1.250	2.214	2.224	2.234	2.244	2.254	55.98	56.12	56.24	56.50	56.62
1 1/2	1.500	2.339	2.349	2.359	2.369	2.379	59.15	59.29	59.41	59.67	59.79
2	2.000	2.589	2.599	2.609	2.619	2.629	65.50	65.64	65.76	66.02	66.14

表 3 : SWS-20H (アーク・ギャップ・ゲージ直径 : 79.20 mm)

呼び外径 サイズ (mm)	実際の外径 サイズ (mm)	0.50 mm の アーク・ギャップ 設定値 (mm)	0.64 mm の アーク・ギャップ 設定値 (mm)	0.76 mm の アーク・ギャップ 設定値 (mm)	1.02 mm の アーク・ギャップ 設定値 (mm)	1.14 mm の アーク・ギャップ 設定値 (mm)
12	12.00	46.12	46.26	46.38	46.64	46.76
18	18.00	49.12	49.26	49.38	49.64	49.76
22	22.00	51.12	51.26	51.38	51.64	51.76
23	23.00	51.62	51.76	51.38	51.64	51.76
25	25.00	52.62	52.76	52.88	53.14	53.26
28	28.00	54.12	54.26	54.38	54.64	54.76
35	35.00	57.62	57.76	57.88	58.14	58.26
52	52.00	66.12	66.26	66.38	66.64	66.76

表 4 : SWS-20H (パイプ用アーク・ギャップ・ゲージ設定 : 標準)

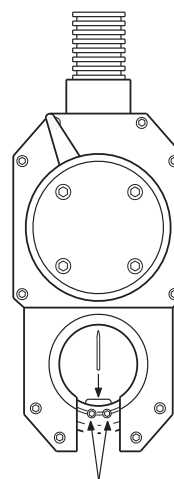
パイプ・ サイズ (インチ)	実際の外径 サイズ (インチ)	0.030 インチの アーク・ギャップ 設定値 (インチ)	0.040 インチの アーク・ギャップ 設定値 (インチ)	0.050 インチの アーク・ギャップ 設定値 (インチ)	0.060 インチの アーク・ギャップ 設定値 (インチ)	0.070 インチの アーク・ギャップ 設定値 (インチ)
1/4	0.54	1.859	1.869	1.879	1.889	1.899
3/8	0.675	1.927	1.937	1.947	1.957	1.967
1/2	0.84	2.009	2.019	2.029	2.039	2.049
3/4	1.05	2.114	2.124	2.134	2.144	2.154
1	1.315	2.247	2.257	2.267	2.277	2.287
1 1/4	1.66	2.419	2.429	2.439	2.449	2.459
1 1/2	1.9	2.539	2.549	2.559	2.569	2.579

表 5 : SWS-20H (パイプ用アーク・ギャップ・ゲージ設定 : ミリ)

パイプ・ サイズ (mm)	実際の外径 サイズ (mm)	0.76 mm の アーク・ギャップ 設定値 (mm)	1.02 mm の アーク・ギャップ 設定値 (mm)	1.27 mm の アーク・ギャップ 設定値 (mm)	1.52 mm の アーク・ギャップ 設定値 (mm)	1.78 mm の アーク・ギャップ 設定値 (mm)
10.2	10.2	45.46	45.72	45.97	46.22	46.48
13.5	13.5	47.11	47.37	47.62	47.87	48.13
17.2	17.2	48.96	49.22	49.47	49.72	49.98
18.9	18.9	49.81	50.07	50.32	50.57	50.83
21.3	21.3	51.01	51.27	51.52	51.77	52.03
26.9	26.9	53.81	54.07	54.32	54.57	54.83
33.7	33.7	57.21	57.47	57.72	57.97	58.23
42.4	42.4	61.56	61.82	62.07	62.32	62.58
48.3	48.3	64.51	64.77	65.02	65.27	65.53

電極のローターへの挿入

1. フィクスチャー・ブロックを取り付けていない状態で、本体スイッチ・パネルの「電極交換」を押します。電極が図9の位置に移動します。
2. 2個の電極固定ねじを緩めます。電極を交換する場合は、電極を取り外します。
3. 未使用の電極を差し込みます。その際、電極の鋭利な先端が外側に向いていることを確認します。電極固定ねじを軽く締め付けて、所定の位置に仮留めします。
4. アーク・ギャップ・ゲージを使用して、適切なアーク・ギャップをセットします。



電極固定ねじ

図9：電極を取り付ける



警告！

電極に触れている間は「スタート」を押さないでください。



注意！

電極を所定の位置に固定するまでは、ローターを回転あるいは動かさないでください。



注意！

「電極交換」を押すと、ローターが移動します。ローターに指を挟まないようにご注意ください。

アーク・ギャップの設定

1. 「ジョグ」または「電極交換」を押してローターを適切な位置（図参照）にセットします。これで電極固定ねじが確認できるようになります。
2. アーク・ギャップ・ゲージをローターに差し込みます。図 10（A）をご参照ください。
3. ウェルド・ヘッドを上向きに傾けます。電極固定ねじを緩めると、アーク・ギャップ・ゲージ表面上に電極が落下します。図 10（B）をご参照ください。
4. 電極を固定できる程度に電極固定ねじを締め付けます。アーク・ギャップ・ゲージを取り外します。
5. 「ホーム」または「電極交換」を押して、ローターをホーム・ポジションに戻します。

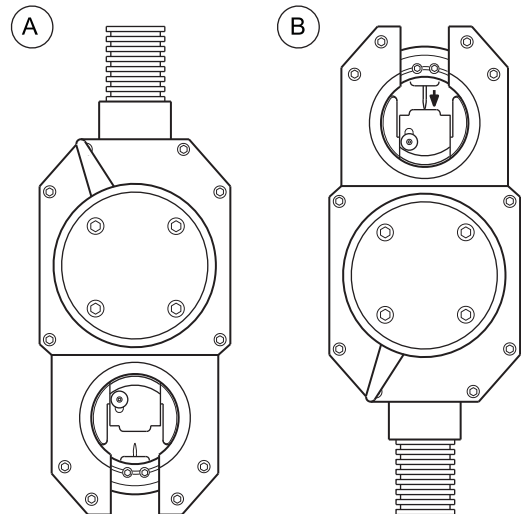


図 10：アーク・ギャップを設定する



注意！

電極を所定の位置に固定するまでは、ローターを回転あるいは動かさないでください。



注意！

「電極交換」を押すと、ローターが移動します。ローターに指を挟まないようにご注意ください。

溶接物の準備

溶接前に、適切にチューブを準備することが重要です。図 11 をご参照ください。

再現性のある高品質な自生融解溶接を確実に行うためには、チューブは厳密に直角かつバリのないものでなければなりません。チューブを切断する場合は、金のこあるいはチューブ・カッターを使用してください。チューブの端面は、旋盤あるいはポータブルなフェーシング・ツールを用いて処理してください。チューブ端面のバリ取りを行い、チューブの内径および外径の両方が厳密に直角かつバリのないことをご確認ください。適切な溶剤を用いてチューブ端面のクリーニングを行ってください。

以下のガイドラインに従うことで、高品質の溶接を行うことができます。

- チューブ端面は必ず厳密な直角にしてください。
- チューブ端面は、公称肉厚との公差が $\pm 15\%$ を超えないようにしてください。
- チューブ端面のバリは必ず取ってください。
- チューブ端面に付着している不純物(さび、グリース、オイル、塗料など)を除去してください。

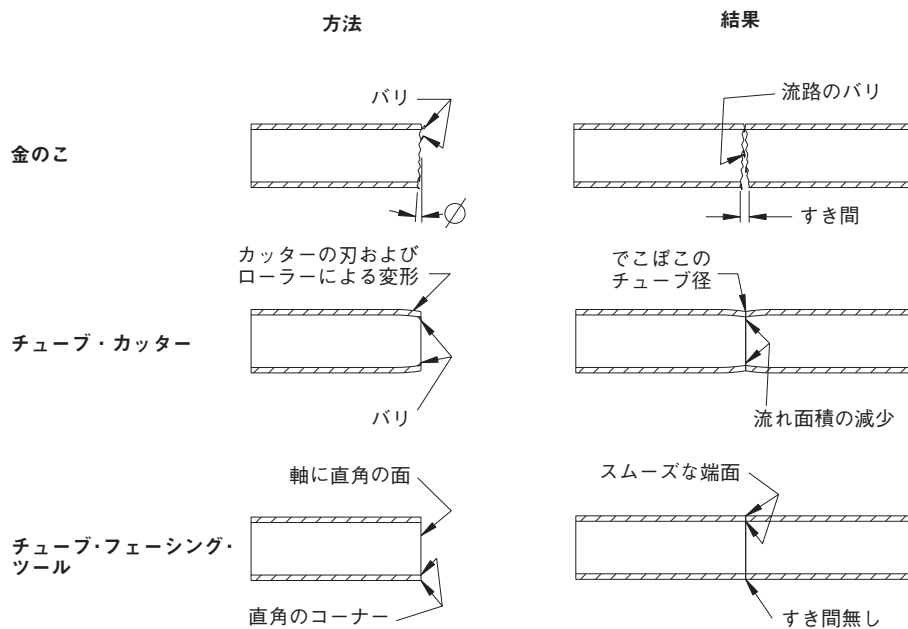


図 11：チューブを準備する

溶接物の固定

適切なフィクスチャー・ブロックを選択または構成します。溶接物の外径サイズに適合するコレットを選択します。

フィクスチャー・ブロックおよびコレットの選択

1. 溶接するチューブの外径サイズに適合するフィクスチャー・ブロックを選びます。表6をご参照ください。

表6：フィクスチャー・ブロック

モデル	対応する外径サイズ	溶接直管部の最小長さ
SWS-20TFB-A	1/2 ~ 2 インチ (12 ~ 52 mm)	1.45 インチ (36.83 mm)
SWS-20FSP1L または SWS-20FSP1R	1/2 ~ 2 インチ (12 ~ 52 mm)	0.80 インチ (20.32 mm)

2. 溶接する部品の直径に適したコレットを選択します。表7をご参照ください。

表7：コレット

モデル	対応する外径サイズ	備考
CWS-20UCI-X	1/2 ~ 2 インチ (12 mm ~ 48.3 mm)	チューブ/チューブ継手
CWS-20UCI-XP	1/4 ~ 1 1/2 インチ	パイプ JIS規格のパイプの場合は末尾に Jを付けてください (-XPJ) ミリ・サイズのパイプの場合は 末尾に MMP を付けてください (-XMMP)
SWS-20UCI-XTN	1/2 ~ 2 インチ (12 ~ 52 mm)	チューブラー溶接継手 SWS-20FSP1L および SWS-20FSP1R 用コレット ミリ・サイズの場合は 末尾に MM を付けてください (XMMTN)
SWS-20UCI-MC	—	SWS-20TFB-A フィクスチャー・ ブロック用のフェルール・マンドレル を固定するためのコレット

X部分にはコレット・サイズ [インチ・サイズ (1/16 インチ刻み) またはミリ・サイズ (末尾が MM)] が入ります。

チューブ用フィクスチャー・ブロック内への コレットの取り付け

1. 両方のレバーを外してチューブ用フィクスチャー・ブロックを開きます。図 12 をご参照ください。

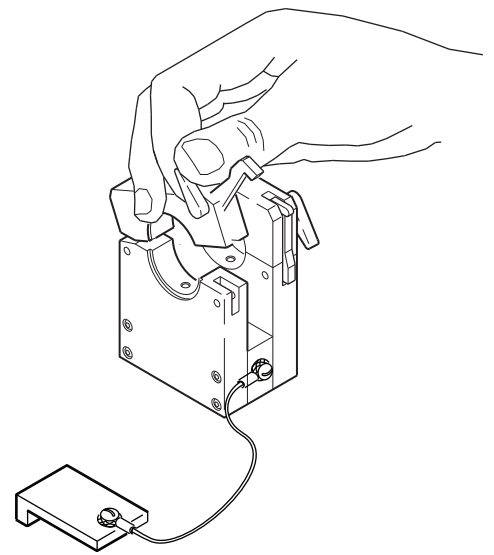


図 12：フィクスチャー・ブロックを開く

2. 上部および下部サイド・プレートの両方にコレットを取り付け、コレット止めネジを締め付けます。コレットの肩とフィクスチャー・サイド・プレートに段差がないことを確認します。図 13 をご参照ください。

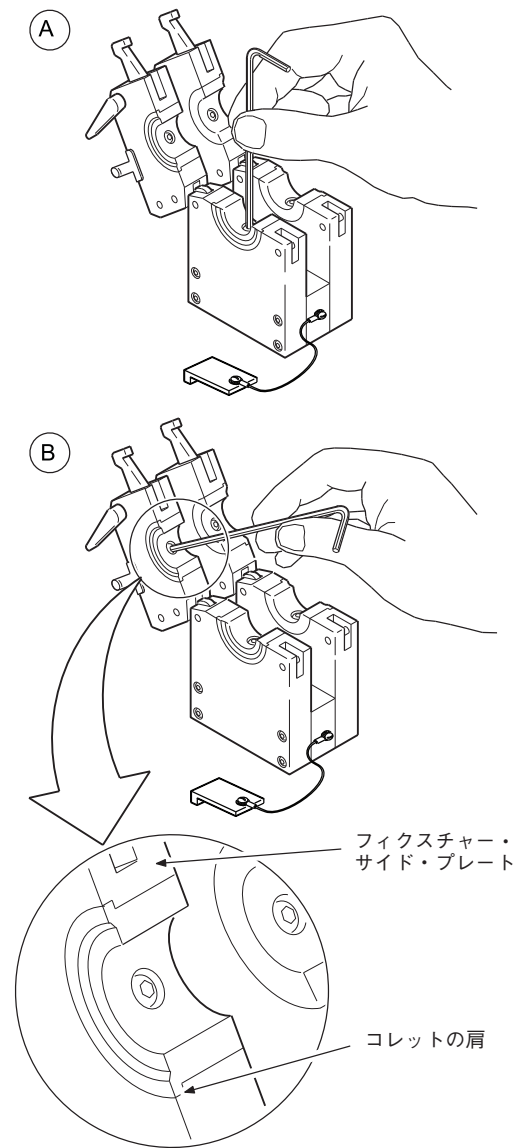


図 13: コレットを取り付ける

溶接物とフィクスチャー・ブロックの位置合わせ

1. チューブ用フィクスチャー・ブロックの片側にセンタリング・ゲージをセットします。センタリング・ゲージはコレットの幅全体にかかっている必要があります。センタリング・ゲージが厚型または薄型サイド・プレートに対して正しい位置にあることを確認します。図 14 をご参照ください。
2. 溶接物をセンタリング・ゲージに突き合わせます。図 15 (A) をご参照ください。
3. 上部サイド・プレートを閉じて固定します。図 15(B) をご参照ください。
4. センタリング・ゲージを取り外します。

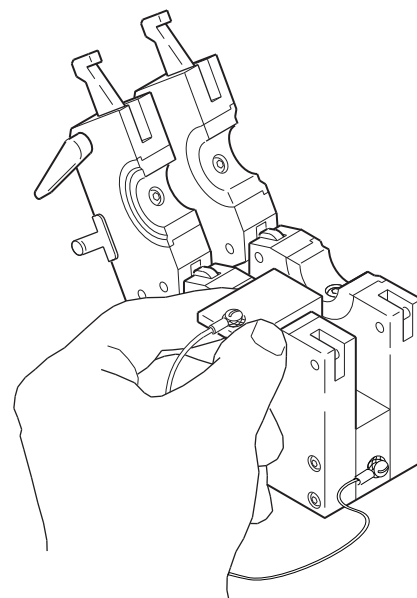


図 14：センタリング・ゲージをセットする

注：

Swagelok ATW 継手をチューブに溶接する際は、最初にチューブをセンタリング・ゲージに突き合わせてください。

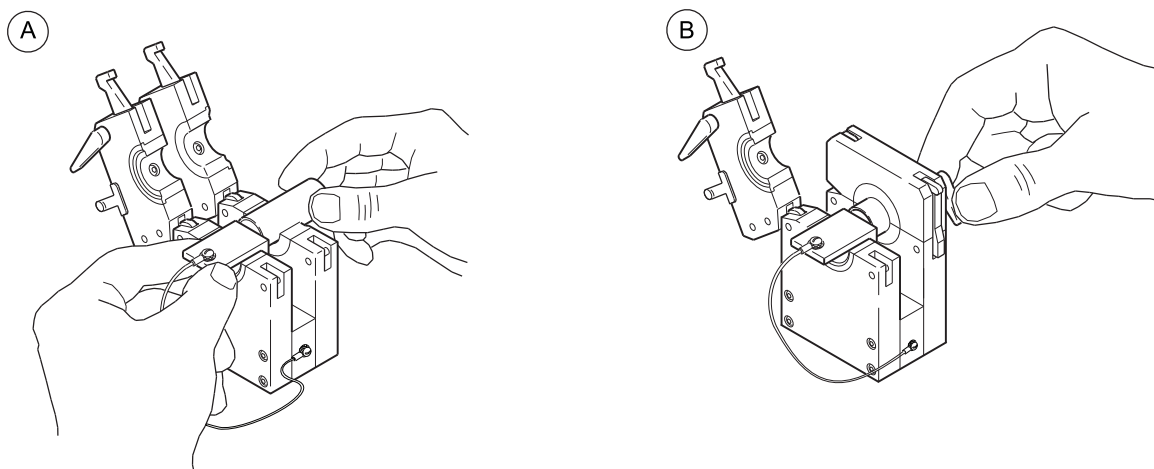


図 15：最初の溶接物をフィクスチャー・ブロックにセットする

5. 2つ目の溶接物を最初の溶接物に突き合わせてから、上部サイド・プレートを開いて固定します。図 16 をご参照ください。
6. 溶接接合部の外周（360°）全体を検査し、突き合わせ面にすき間がなく、アライメント（位置合わせ）が正しく行われていることを確認します。アライメント（位置合わせ）がずれている場合は、次のセクションに進んでください。

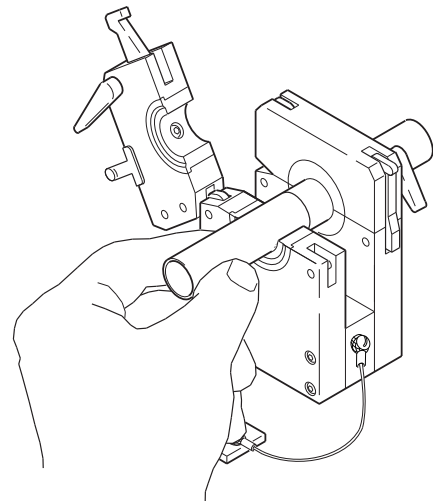


図 16：2つ目の溶接物をセットする

チューブ・チューブ用フィクチャー・ブロックの調節

フィクチャー・ブロック内で溶接物を正確にアライメント（位置合わせ）するには、定期的にサイド・プレートの位置合わせを行う必要があります。以下の手順に従って、フィクチャー・ブロックの位置合わせを行ってください。

1. フィクチャー・ブロックをひっくり返し、センター・プレート上の方向を示す矢印を見つけます。この矢印は、適切なサイド・プレートを指し示しています。図 17 をご参照ください。
2. サイド・プレートをセンター・プレートから緩める程度に2個の位置合わせ用ノブを緩めます。図 17 をご参照ください。
3. フィクチャー・ブロックを上向きに戻し、両方のレバーを外してフィクチャー・ブロックを両側とも開きます。
4. 両方のサイド・プレートに載る程度の長さの直管チューブ（最小長さ：38.1 mm）をコレットにセットします。
5. 調節ができない方のサイド・プレートを閉じて固定します。図 18 をご参照ください。
6. 緩めた上部サイド・プレートを閉じて固定します。
7. 位置合わせ用ノブを締め付けます。サイド・プレートの滑落防止のため、位置合わせ用ノブは均等に締め付けてください。
8. サイド・プレートを開いてチューブを取り外します。

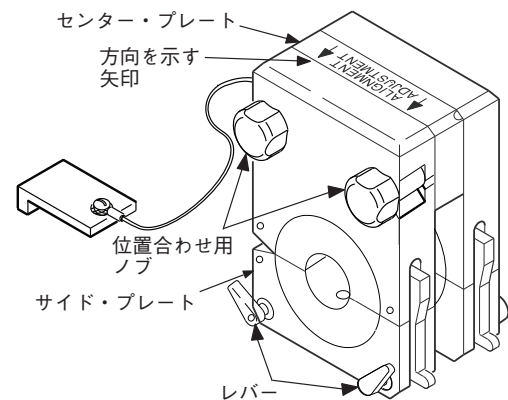


図 17：サイド・プレートを緩める

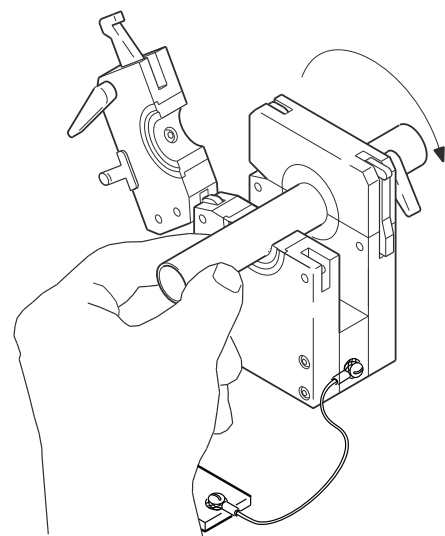


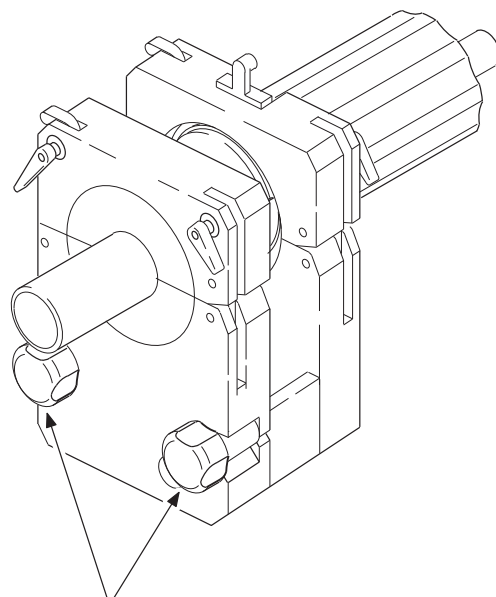
図 18：チューブをセットする

フィクチャー・ブロックの調節

シリーズ20 フィクチャー・ブロックはモジュラー・デザインを採用しているため、さまざまな溶接要件に合わせてブロックを組み立てることができます。

以下の手順に従って、フィクチャー・ブロック内でのチューブの位置合わせを行ってください。

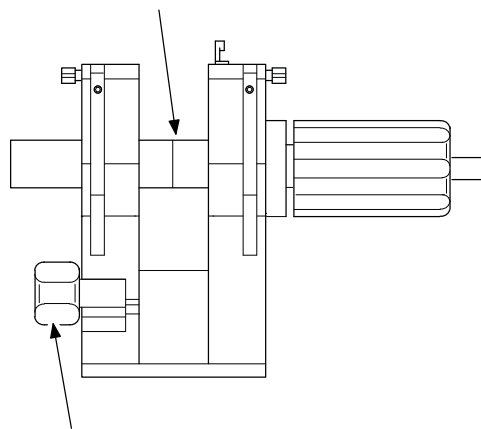
1. 位置合わせ用ノブを緩めます。図19をご参照ください。
2. チューブと継手の位置合わせを行います。図20をご参照ください。
3. 位置合わせ用ノブを締め付けます。



位置合わせ用ノブ

図19：位置合わせ用ノブを緩める

継手とチューブの位置を合わせる



位置合わせ用ノブ

図20：チューブの位置を合わせる

ウェルド・ヘッドとフィクスチャー・ブロックの取り付け

1. ウェルド・ヘッドのロッキング・レバーを反時計回りにまわします（止まる場所まで）。図 21 をご参照ください。
2. ウェルド・ヘッドをフィクスチャー・ブロックに差し込みます。図 22 (A) をご参照ください。
3. ロッキング・レバーを時計回りにまわしてウェルド・ヘッドを固定します。図 22 (B) をご参照ください。

ウェルド・ヘッドの操作

ウェルド・ヘッドを操作する際は、以下のパラメーターを使用してください。

シールド・ガス流量 (std L/min)	9.4 ~ 18.8 ^①
最小プリバースおよびポストバース時間 (秒)	30 ^②
最大推奨平均電流値	95 A (使用率 50%) ^③

① 溶接電流が高い時は、流量を高めに設定してください。

② 高電流率で溶接する際は、連続的に流して冷却してください。

③ ウェルド・ヘッド延長ケーブル（オプション）を使用する際は、出力電流が下がる場合があります。

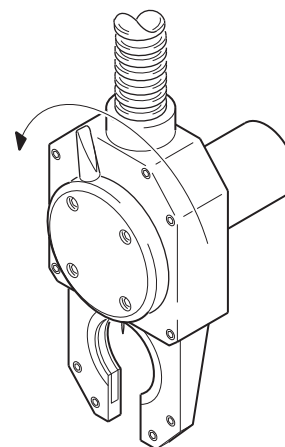


図 21：ロッキング・レバーを外す

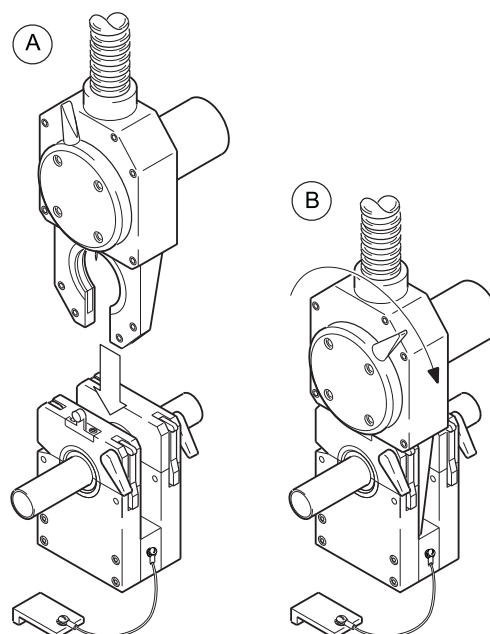


図 22：ウェルド・ヘッドとフィクスチャー・ブロックを組み立てる

メンテナンス

Swagelok ウェルディング・システム (SWS) 装置が常に正常に機能するように、システム部品の定期的なメンテナンスを行ってください。

本セクションでは、フィクスチャー・ブロックおよびウェルド・ヘッドのメンテナンス手順について説明します。

部品の詳細図および各部品をご注文の際は、本マニュアルの最後の「**構成部品の分解図**」の項をご参照ください。

フィクスチャー・ブロックのメンテナンスは、毎日かつ溶接を 40 時間行う毎に行ってください。使用状況と磨耗の状態によっては、溶接が 40 時間以下の場合でもメンテナンスを行ってください。

注：

本セクションの手順を行っている際に問題が生じた場合は、パワー・サプライ・ユーザー・マニュアルの「トラブルシューティング」の項を参照するか、スウェーヂロック指定販売会社までお問い合わせください。

フィクチャー・ブロックの毎日のメンテナンス

日常の作業前に以下の作業を行ってください。

1. フィクチャー・ブロックに汚れ、磨耗、損傷が生じていないか検査します。図 23 をご参照ください。
2. 清潔な柔らかい布を使用して、フィクチャー・ブロックから汚れ、カーボン、付着物を取り除きます。アルコールやアセトンなどの溶剤を使用することも可能です。頑固な付着物は、目の細かい研磨パッドを使用して取り除いてください。

日常の作業後に、フィクチャー・ブロックのクリーニングを行い、乾燥した場所に保管してください。

フィクチャー・ブロックの定期的なメンテナンス

溶接を 500 ～ 700 回行う毎に以下の作業を行ってください。

1. コレットの検査およびクリーニングを行います。図 23 (A) をご参照ください。
2. スクラッチ傷やへこみがないか点検します。
3. 柔らかいステンレス鋼製ワイヤー・ブラシを使用して、コレットの全表面から汚れや酸化物を取り除きます。
4. 目の細かい研磨パッドを使用して、サイド・プレートの陽極酸化処理していない接合表面から酸化物を取り除きます。図 23 (B) をご参照ください。
5. 清潔な柔らかい布を使用して、サイド・プレートの内面から汚れや酸化物を取り除きます。図 23 (C) をご参照ください。頑固な付着物は、目の細かい研磨パッドを使用して取り除いてください。
6. レバー・カムおよびラッチがスムーズに動作するか点検します。図 24 をご参照ください。
 - a. ラッチから止めネジを取り外し、フィクチャー・ブロックからレバー・カムを引いて取り外します。
 - b. 必要であれば、レバー・カムのクリーニングを行います。
 - c. 止めネジを元通りに取り付け、所定の位置にしっかりと固定されていることを確認します。

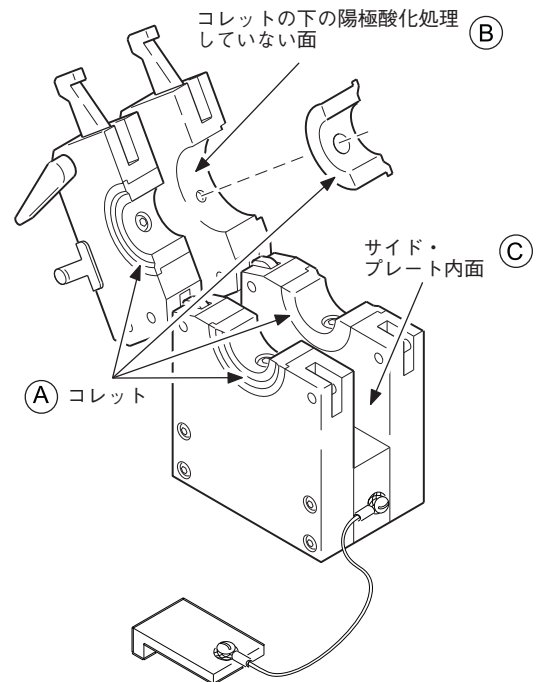


図 23 : コレットおよびコレット取り付け面のクリーニングを行う

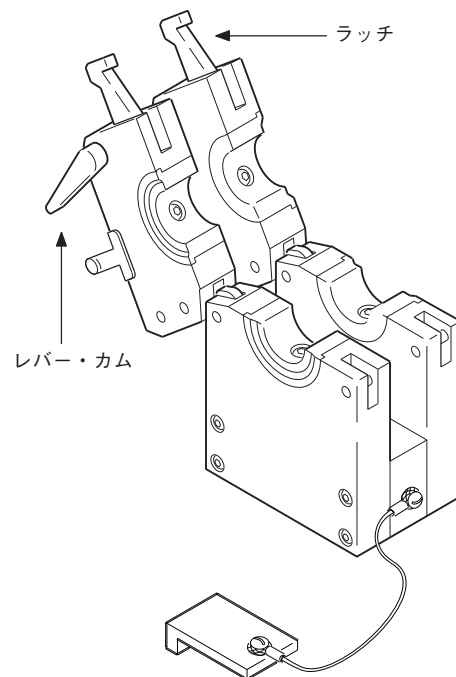


図 24 : レバー・カムおよびラッチ

7. フィクスチャー・ブロックが溶接物を適切に固定していることを確認します。
 - a. コレットをフィクスチャー・ブロックの片側に取り付けます。
 - b. コレットと同じサイズのチューブを差し込み、レバー・カムを使用してフィクスチャー・ブロックを閉じます。
 - c. チューブがコレットの中でまわらないことを確認します。
 - d. チューブがコレットの中でスライドしないことを確認します。
 - e. チューブがコレットの中で上下左右に動かないことを確認します。
 - f. もう一方のフィクスチャー・ブロックについても、同じ手順で溶接物が適切に固定されていることを確認します。

修理が必要なフィクスチャー・ブロックの返送先につきましては、スウェージロック指定販売会社までお問い合わせください。

注：

摩耗や損傷が生じている場合、またはフィクスチャー・ブロックが溶接物を適切に固定できない場合、そのフィクスチャー・ブロックは絶対に使用しないでください。

ウェルド・ヘッドの毎日のメンテナンス

ウェルド・ヘッドのメンテナンスは、毎日かつ溶接を 500～700 回行う毎に行ってください。使用状況と磨耗の状態によっては、溶接回数が 500 回以下の場合でもメンテナンスを行ってください。

日常の作業前に以下の作業を行ってください。

1. ウェルド・ヘッドが汚れていないか検査します。特にローター部分を注意してご確認ください。
2. 「ジョグ」を押します。ローターがスムーズに回転するか点検します。「ジョグ」を押してローターの回転を止めます。ローターの回転が安定しない、または機械音が大きい場合は、ウェルド・ヘッドを分解して、ローター、ギア、ブラシのクリーニングを行います。「ウェルド・ヘッドの分解／クリーニング」の項をご参照ください。
3. 「ホーム」を押し、ローターをホーム・ポジションに戻します。

日常の作業後に以下の作業を行ってください。

1. 清潔な柔らかい布およびイソプロピル・アルコールなどの溶剤を使用して、ウェルド・ヘッドから汚れ、カーボン、付着物を取り除きます。
2. ウェルド・ヘッドを清潔で乾燥した場所に保管します。



警告！

調節やメンテナンスを行う場合は、必ず事前にワーク・ケーブルおよび電極ケーブルをパワー・サプライから取り外してください。

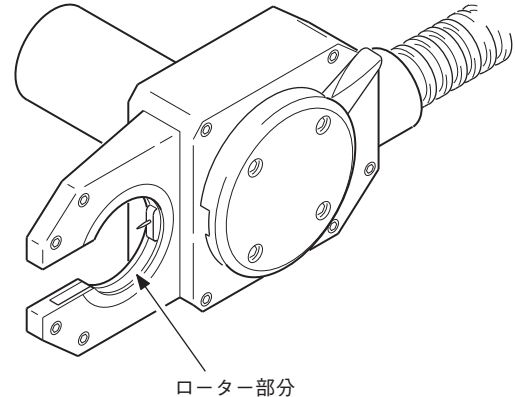


図 25：ウェルド・ヘッドの露出面を検査する



注意！

潤滑油はウェルド・ヘッド内部に使用しないでください。



注意！

「ジョグ」を押すと、ローターが移動します。ローターに指を挟まないようにご注意ください。

ウェルド・ヘッドの分解／クリーニング

本セクションでは、ウェルド・ヘッドおよびローターの分解方法について説明します。

ウェルド・ヘッド

以下の手順に従って、ウェルド・ヘッドを分解してください。

1. クリーンで低圧の空気を吹きつけて、ウェルド・ヘッド・アセンブリーからすべてのゴミを取り除きます。
2. ねじ4本、ロックリング、ロックリング・プレートを取り外します。図26をご参照ください。
3. ワーク・エクステンション・ネジ、ロック・ワッシャー、ワーク・エクステンションを取り外します。ワーク・エクステンションにピット、磨耗、損傷が生じていないか検査します。図27をご参照ください。
4. 必要であればワーク・エクステンションを交換します。各部品をご注文の際は、本マニュアルの最後の「構成部品の分解図」の項をご参照ください。

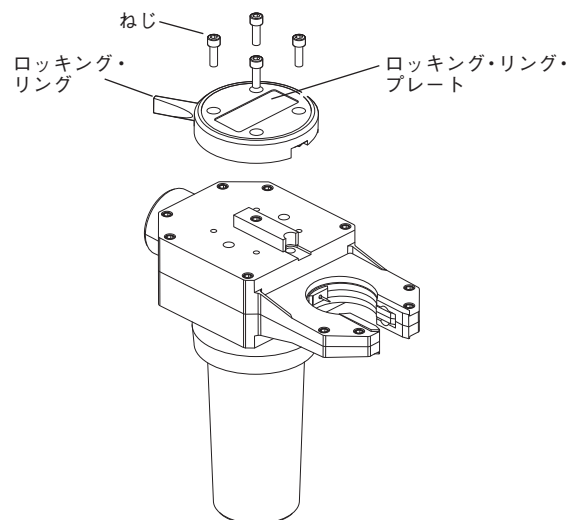


図26：ロックリングおよびロックリング・プレートを取り外す

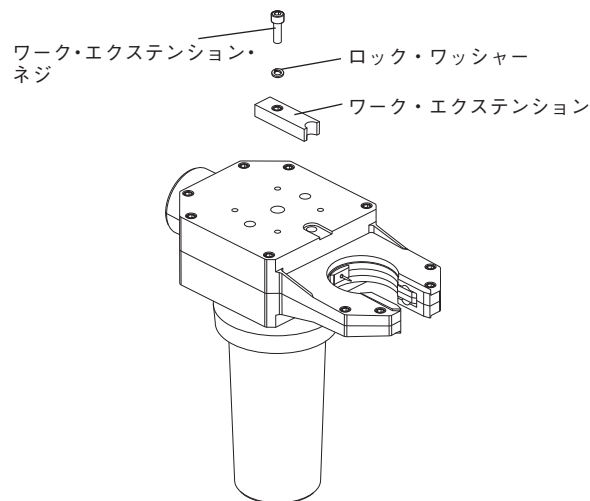


図27：ワーク・エクステンションを取り外す

5. ハウジングからウェルド・ヘッド・ハウジング・ネジを取り外します。軽く揺り動かすようにして、ワーク側のウェルド・ヘッド・ハウジングをモーター側ハウジングから外します。図 28 をご参照ください。
6. 内部部品が損傷しないよう注意しながらウェルド・ヘッド・ハウジングを外します。
7. ローターをモーター側ウェルド・ヘッド・ハウジングから取り外します。図 29 をご参照ください。
8. パワー・ブロック・サブアセンブリーを持ち上げて、モーター側ウェルド・ヘッド・ハウジングから取り外します。図 30 をご参照ください。

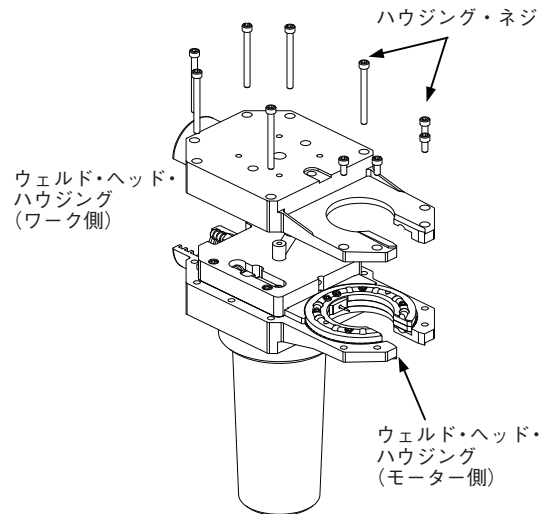


図 28：ウェルド・ヘッド・ハウジングの
ロッキング・リングを取り外す

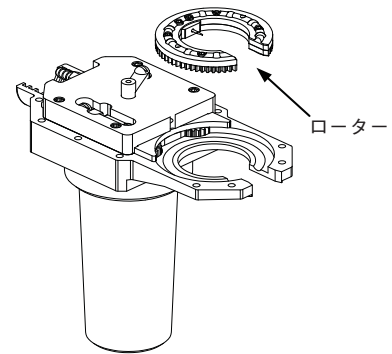


図 29：ローターを取り外す

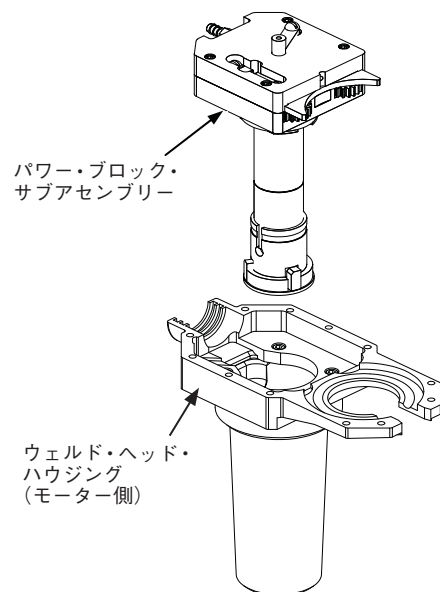


図 30：パワー・ブロック・サブアセンブリーを
取り外す

9. ブラシの検査を行います。図 31 をご参照ください。
以下の手順に従って、ブラシの検査およびクリーニングを行ってください。
 - a. ブラシに過度の摩耗がないか点検します。
 - b. ブラシに溝があることを確認します。溝がない場合はブラシを交換します。各部品をご注文の際は、本マニュアルの最後の「構成部品の分解図」の項をご参照ください。
 - c. 目の細かい研磨パッドを使用して、ブラシから酸化物を取り除きます。
10. クリーンで低圧のドライ・エアーを吹きつけて、パワー・ブロック・アセンブリーからゴミを取り除きます。
11. パワー・ストラップねじが2本とも締め付けられていることを確認します。図 32 をご参照ください。
12. ワーク・プレートねじが締め付けられていること、過度の酸化が生じていないことを確認します。図 33 をご参照ください。必要であれば目の細かい研磨パッドを使用して、ワーク・プレートのクリーニングを行います。
13. ギアに摩耗が生じていないか検査し、損傷している場合は交換します。各部品をご注文の際は、本マニュアルの最後の「構成部品の分解図」の項をご参照ください。

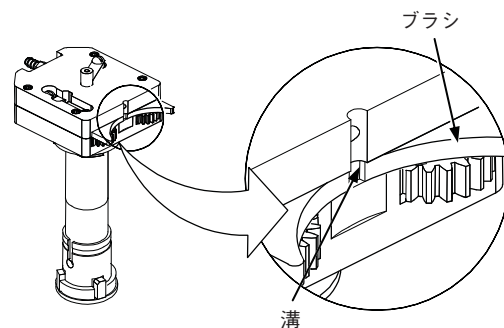


図 31：ブラシを検査する

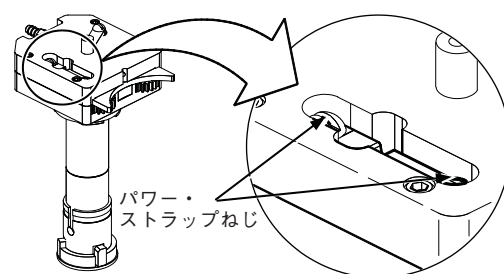


図 32：パワー・ストラップねじを検査する

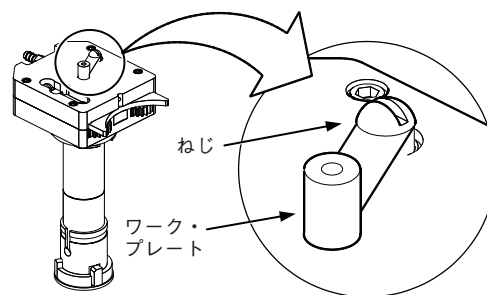


図 33：ワーク・プレートおよびねじを検査する

ローター

以下の手順に従って、ローターを分解してください。

1. ローターねじおよび電極固定プレートねじをローターから取り外します。電極をセラミック・インサートから取り外します。図 34 をご参照ください。
2. 清潔で乾燥した面にローターを置きます。その際、ローター開口部を上向きにします。ギア・リングをブラシ・リングから離します。図 35 をご参照ください。
3. ギア・リングをブラシ・リングから完全に離します (図 36 参照)。ギア・リングを作業台の上に平らに置きます。
4. ボール・ベアリングをギア・リングおよびブラシ・リングから取り外します。
5. ボール・ベアリングに磨耗や損傷が生じていないか検査します。必要であれば、交換します。
6. ボール・ベアリングが汚れている場合は、イソプロピル・アルコールまたは洗剤を使用してクリーニングを行います。ボール・ベアリングを十分に乾燥させます。

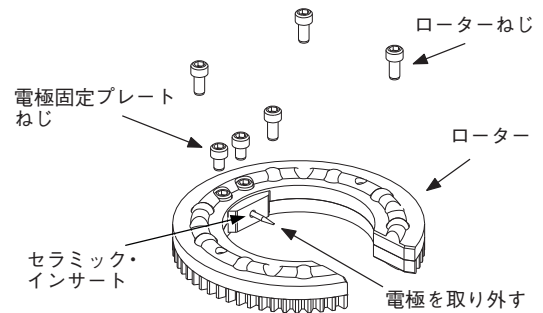


図 34：ローターおよび電極固定プレートねじを取り外す

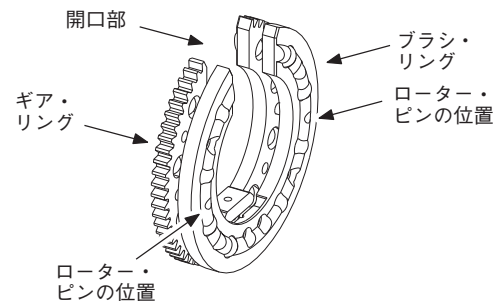


図 35：作業台上にローターを設置する

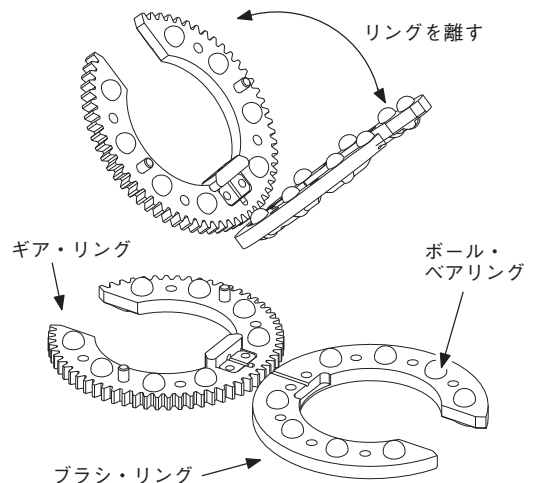


図 36：ギア・リングをブラシ・リングから取り外す

7. セラミック・インサートを取り外します。図37をご参照ください。
8. セラミック・インサートの検査を行います。カーボンなどが付着している場合は、目の細かい研磨パッドまたは柔らかいナイロン製ブラシを使用して取り除きます。
9. 電極固定プレートを取り外し、目の細かい研磨パッドを使用してクリーニングを行います。図38をご参照ください。
10. ブラシ・リングおよびギア・リングに汚れや付着物がないか検査します。目の細かい研磨パッドまたは柔らかいステンレス鋼製ワイヤー・ブラシを使用して、ギア・リングのクリーニングを行います。
11. 再組み立てを行う前に、クリーンで低圧のドライ・エアーを吹きつけて、すべての部品を乾燥させます。

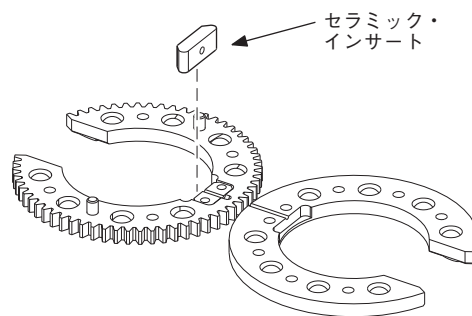


図37：セラミック・インサートを取り外す

ウェルド・ヘッドの組み立て

ウェルド・ヘッドおよびローターを組み立てる際は、分解手順と逆の順序で行ってください。

以下の手順に従って、ウェルド・ヘッドを組み立ててください。

1. 「ローター」の項の手順を逆に行います。
2. 「ウェルド・ヘッドの分解／クリーニング」の項の手順を逆に行います。
3. ローターの位置が適切であることを確認します。図39をご参照ください。

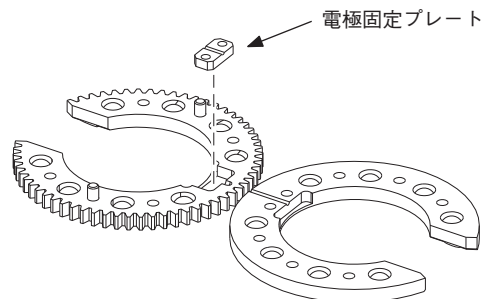


図38：電極固定ねじを取り外す



注意！
再取り付けの際に、内部の配線を挟み込まないでください。

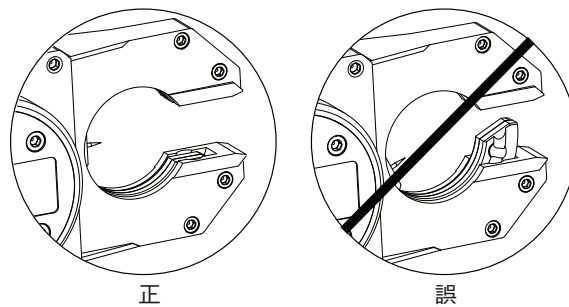


図39：ローターの位置

構成部品の分解図

本セクションでは、分解図および関連部品のリストを記載しています。分解図を参照することで、部品名を容易に確認することができます。各部品のご注文につきましては、スウェーじロック指定販売会社までお問い合わせください。

本セクションでは、以下の製品の部品を記載しています。

- SWS-20H ウェルド・ヘッド
- SWS-20H モーター／パワー・ブロック・アセンブリー
- SWS-20H ローター・アセンブリー
- SWS-20TFB-A チューブ用フィクスチャー・ブロック
- SWS-20FSP1R 特殊用途向けサイド・プレート
- SWS-20FSP1L 特殊用途向けサイド・プレート

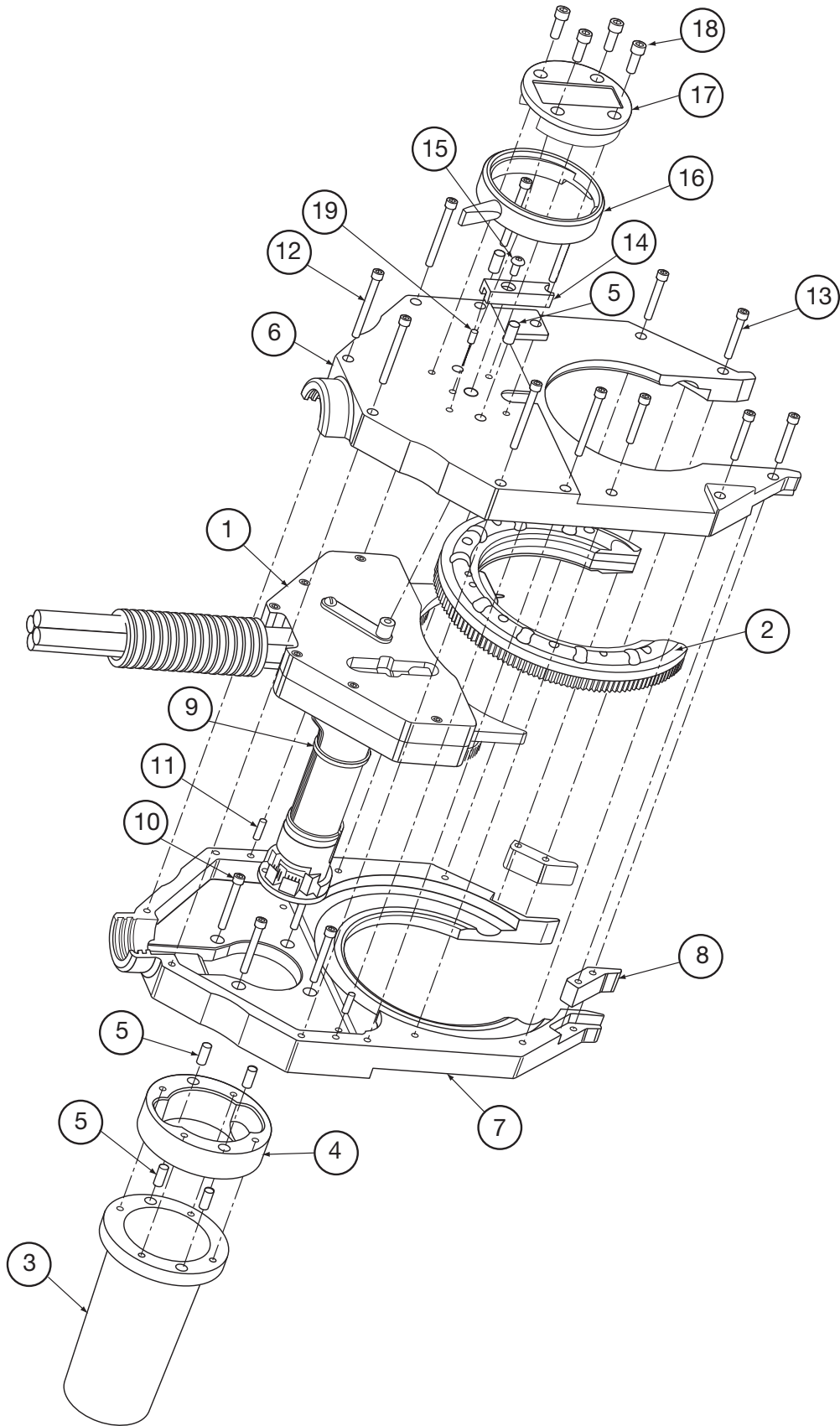


図 40 : SWS-20H ウェルド・ヘッド

表 8 : SWS-20H ウェルド・ヘッド構成部品リスト

参照 番号	名称	型番	最小 注文数量
1	パワー・ブロック・アセンブリーの分解図をご参照ください	*	*
2	ローター・アセンブリー	21210	1
3	モーター・カバー	SWS-WH-MT-CVR	1
4	ウェルド・ヘッド・モーター・カバー・エクステンション	SWS-WH-MT-CVR-EXT	1
5	ステンレス鋼製ドゥエル・ピン	*	10
6	ハウジング (ワーク側)	SWS-20H-D-WSH	1
7	ハウジング (モーター側)	SWS-20H-D-MSH	1
8	ベアリング・パッド	21075	1
9	モーター・アセンブリー	*	*
10	ステンレス鋼製ソケット・ヘッド・キャップ・ネジ (6-32×1.000 インチ)	188-SCSA-138-32-1000	10
11	ステンレス鋼製ドゥエル・ピン	*	*
12	ステンレス鋼製ソケット・ヘッド・キャップ・ネジ (4-40×1.250 インチ)	13162	10
13	ステンレス鋼製ソケット・ヘッド・キャップ・ネジ (4-40×0.812 インチ)	13161	10
14	ワーク・エクステンション・バー	21054	1
15	ステンレス鋼製ボタン・ヘッド・ネジ (4-40×0.250 インチ)、ナイロン付き	188-21066-RCEU	10
16	ロックリング	21065	1
17	ロックリング・プレート	SWS-WH-LK-RNG-PLT	1
18	プラスチック製ソケット・ヘッド・キャップ・ネジ (6-32×0.437 インチ)	13105	10
19	ステンレス鋼製ドゥエル・ピン	*	*
20	スプリット・ロック・ワッシャー	13208	10

各部品のご注文につきましては、スウェーヂロック指定販売会社までお問い合わせください。

* ユーザーよりの現場交換用の予備品としてはご注文いただけません。

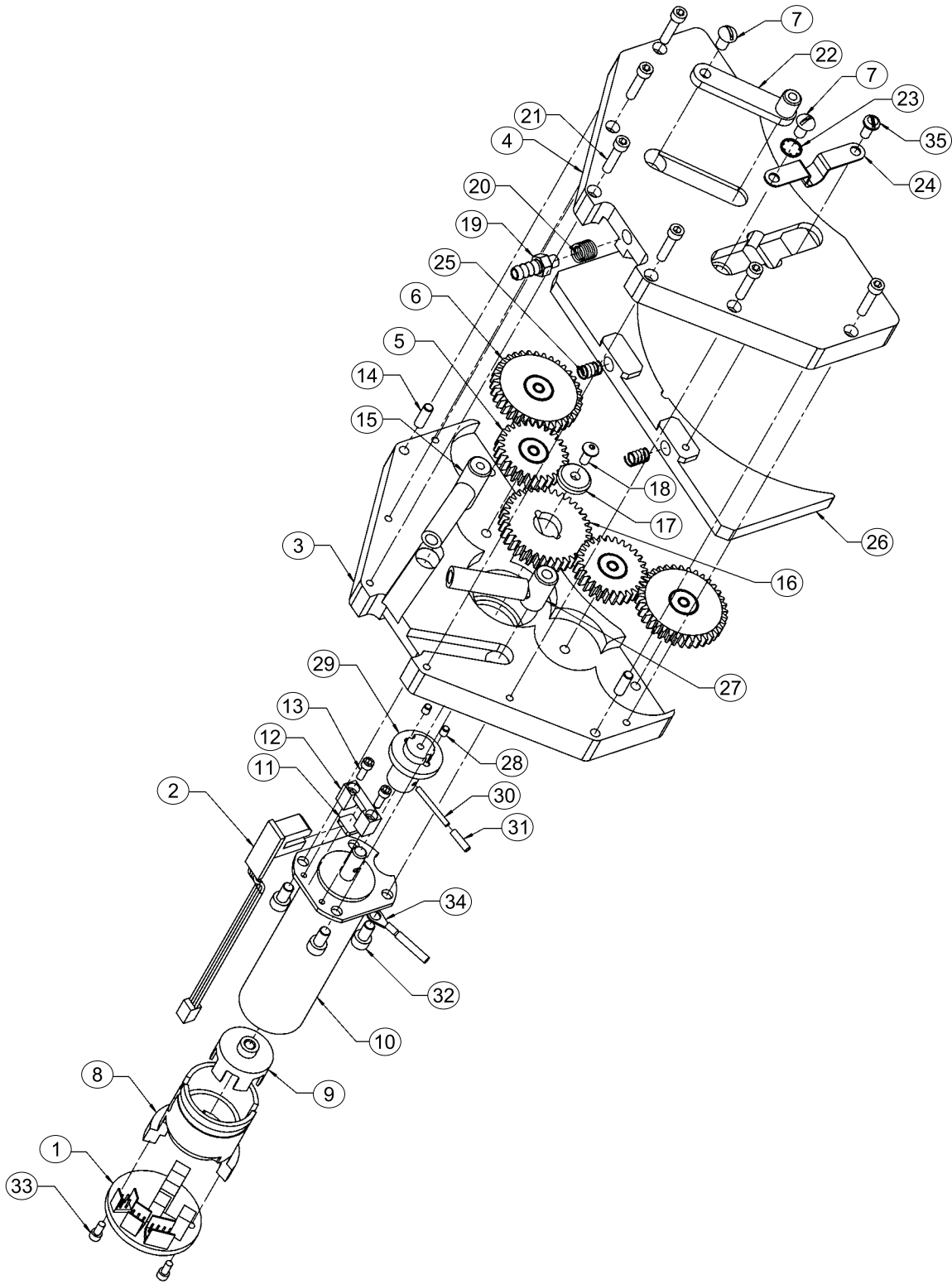


図 41 : SWS-20H モーター／パワー・ブロック・アセンブリー

表9：SWS-20H モーター／パワー・ブロック・アセンブリー構成部品リスト

参照番号	名称	型番	最小注文数量
1	エンコーダー・ボード	10708-A-RCEU	1
2	ホーム・センサー	10709-A	1
3	パワー・ブロック (モーター側)	SWS-20H-MSPB	1
4	パワー・ブロック (ワーク側)	SWS-20H-GSPB	1
5	ギア・アセンブリー	10009-5	1
6	ギア・アセンブリー	10009-6	1
7	ステンレス鋼製丸ねじ (6-32×0.250 インチ)	188-13124-RCEU	10
8	スリーブ・センサー・マウント	*	*
9	エンコーダー・ホイール	*	*
10	モーター	*	*
11	ホーム・センサー・マウント・シム	11126	1
12	ホーム・センサー・マウント	11125	1
13	ステンレス鋼製ソケット・ヘッド・キャップ・ネジ (2-56×0.375 インチ)	13145	10
14	ステンレス鋼製ドゥエル・ピン	*	*
15	ワーク・ポスト	*	*
16	ドライブ・ギア	SWS-20H-DR-GR	1
17	リテーナー・ワッシャー	SWS-WH-DR-RET-WSHR	1
18	ステンレス鋼製ボタン・ヘッド・キャップ・ネジ (4-40×0.250 インチ)	13167	10
19	バージ継手	B-BN4-K62	1
20	ねじ用インサート	*	*
21	ステンレス鋼製ソケット・ヘッド・キャップ・ネジ (4-40×0.500 インチ)	13163	10
22	ワーク・プレート	11060	1
23	ステンレス鋼製 #6 ロック・ワッシャー	13171	10
24	パワー・ストラップ	11117-RCEU	1
25	ブラシ・スプリング	21262	10
26	ブラシ	SWS-20H-BRUSH	1
27	パワー・ポスト	*	*
28	ステンレス鋼製ドゥエル・ピン (0.093×0.125 インチ)	13133	10
29	ドライブ・カプラー	*	*
30	ドライブ・カプラー・ピン	*	*
31	ドライブ・カプラー・ピン・スリーブ	*	*
32	ステンレス鋼製ソケット・ヘッド・キャップ・ネジ (6-32×0.250 インチ)	13174	10
33	ステンレス鋼製ソケット・ヘッド・キャップ・ネジ (2-56×0.187 インチ)	13111	10
34	ワイヤー・リング端子	*	*
35	ステンレス鋼製マイナス・ネジ (4-40×0.250 インチ)	188-21066-RCEU	10

各部品のご注文につきましては、スウェージロック指定販売会社までお問い合わせください。

* ユーザーよりの現場交換用の予備品としてはご注文いただけません。

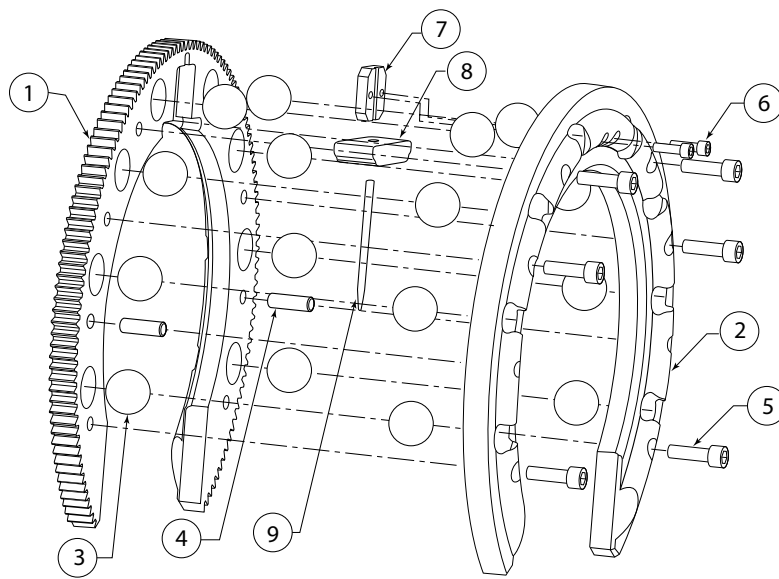


図 42 : SWS-20H ローター・アセンブリー

表 10：SWS-20H ローター・アセンブリー構成部品リスト

参照 番号	名称	型番	最小 注文数量
1	ローター・ギア・リング	21304	1
2	ローター・ブラシ・リング	21116	1
3	プラスチック製ボール・ベアリング (0.375インチ)	11154	10
4	ドゥエル・ピン	*	*
5	ステンレス鋼製ソケット・ヘッド・キャップ・ネジ (4-40×0.375インチ)	13114	10
6	ステンレス鋼製ソケット・ヘッド・キャップ・ネジ (2-56×0.250インチ)	13176	10
7	電極固定プレート	11306	1
8	セラミック・インサート	11210	1
9	電極表 (50 ページ) をご参照ください。	—	—

各部品のご注文につきましては、スウェージロック指定販売会社までお問い合わせください。

* ユーザーよりの現場交換用の予備品としてはご注文いただけません。

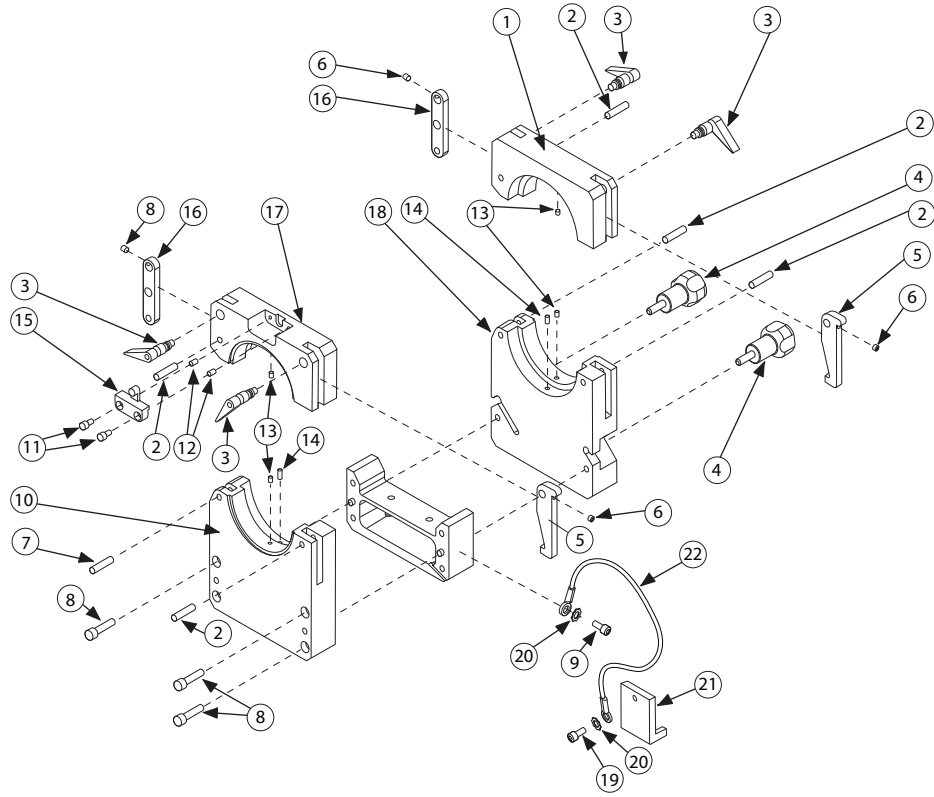


図 43 : SWS-20TFB-A チューブ用フィクスチャー・ブロック

表 11：SWS-20TFB-A チューブ用フィクスチャー・ブロック構成部品リスト

参照 番号	名称	型番	最小 注文数量
1	サイド・プレート・アセンブリー (右)	SWS-20TSPR-A	1
2	ドゥエル・ピン	*	*
3	レバー・カム・アセンブリー	12308-1	1
4	ノブ	12316	1
5	ラッチ	12307	1
6	ステンレス鋼製止めネジ (6-32×0.156 インチ) (加工済み)	12306	10
7	センター・プレート・アセンブリー	SWS-20BPLEN	1
8	ステンレス鋼製ソケット・ヘッド・キャップ・ネジ (10-24×1.000 インチ)	13184	10
9	ステンレス鋼製ソケット・ヘッド・キャップ・ネジ (4-40×0.250 インチ)	13112	10
10	サイド・プレート・アセンブリー (左)	SWS-20TSPL-A	1
11	ステンレス鋼製平ねじ (6-32×0.313 インチ)	13318	10
12	ねじ用インサート	*	*
13	ねじ用インサート	*	*
14	ドゥエル・ピン	*	*
15	ロック・タブ	12360	1
16	ヒンジ	*	*
17	サイド・プレート・アセンブリー (左)	SWS-20TSPL-A	1
18	サイド・プレート・アセンブリー (右)	SWS-20TSPR-A	1
19	ステンレス鋼製ソケット・ヘッド・キャップ・ネジ (4-40×0.187 インチ)	13207	10
20	ステンレス鋼製 #4 外部星型ワッシャー	13171	10
21	センタリング・ゲージ	SWS-20CG-A	1
22	12 インチ・コード	13231	1
23	ステンレス鋼製 #10 外部星型ワッシャー	13131	10

各部品のご注文につきましては、スウェージロック指定販売会社までお問い合わせください。

* ユーザーよりの現場交換用の予備品としてはご注文いただけません。

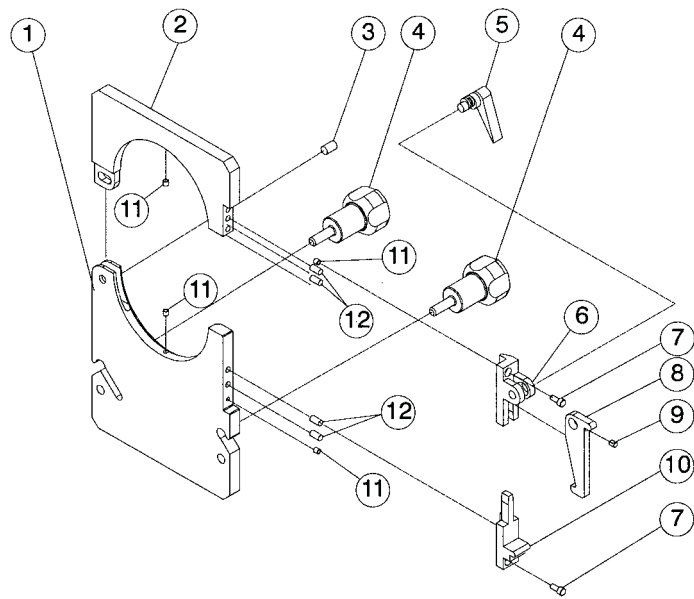


図 44 : SWS-20FSP1R 特殊用途向けサイド・プレート

図 12：SWS-20FSP1R 特殊用途向けサイド・プレート構成部品リスト

参照 番号	名称	型番	最小 注文数量
1	薄型サイド・プレート (右底部)	*	*
2	薄型サイド・プレート (右上部)	*	*
3	ドゥエル・ピン	*	*
4	ノブ	12316	1
5	レバー・カム・アセンブリー	12130-2	1
6	ラッチ・ホルダー (右上部)	12317	1
7	ステンレス鋼製ソケット・ヘッド・キャップ・ネジ (4-40×0.250 インチ)	13112	10
8	ラッチ	12146	1
9	ステンレス鋼製止めネジ (4-40×0.125 インチ)	12132	10
10	ラッチ・ホルダー (右底部)	12314	1
11	ねじ用インサート	*	*
12	ドゥエル・ピン	*	*

各部品のご注文につきましては、スウェーجزロック指定販売会社までお問い合わせください。

* ユーザーよりの現場交換用の予備品としてはご注文いただけません。

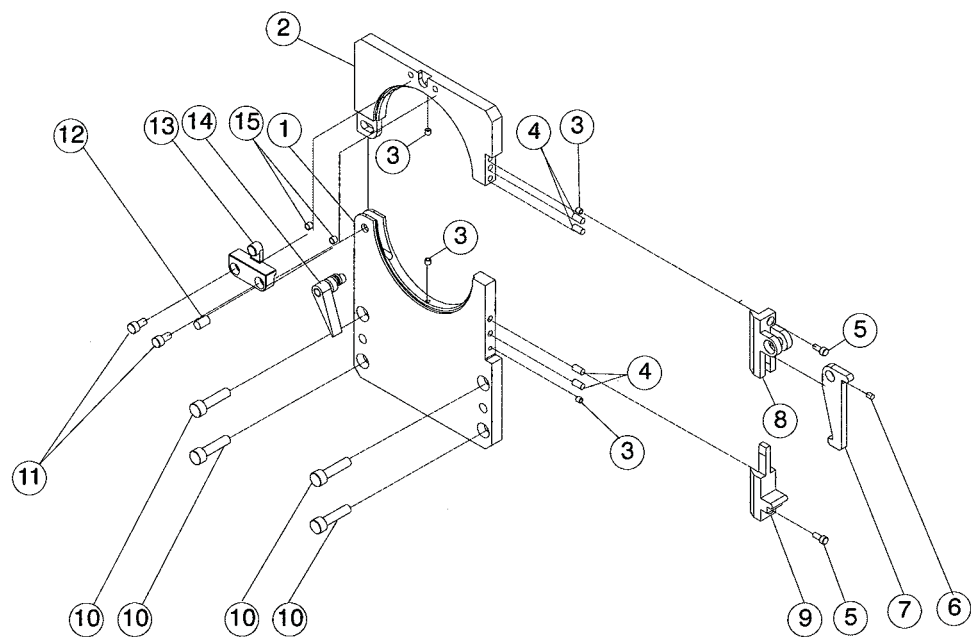


図 45 : SWS-20FSP1L 特殊用途向けサイド・プレート

表 13：SWS-20FSP1L 特殊用途向けサイド・プレート構成部品リスト

参照 番号	名称	型番	最小 注文数量
1	薄型サイド・プレート (左底部)	*	*
2	薄型サイド・プレート (左上部)	*	*
3	ねじ用インサート	*	*
4	ドゥエル・ピン	*	*
5	ステンレス鋼製ソケット・ヘッド・キャップ・ネジ (4-40×0.250 インチ)	13112	10
6	ステンレス鋼製止めネジ (4-40×0.125 インチ)	12132	10
7	ラッチ	12146	1
8	ラッチ・ホルダー (左上部)	12313	1
9	ラッチ・ホルダー (左底部)	12315	1
10	ステンレス鋼製ソケット・ヘッド・キャップ・ネジ (10-24×0.625 インチ)	13118	10
11	ステンレス鋼製平ねじ (6-32×0.313 インチ)	13318	10
12	ドゥエル・ピン	*	*
13	ロック・タブ	12360	1
14	レバー・カム・アセンブリー	12130-2	1
15	ねじ用インサート	*	*

各部品のご注文につきましては、スウェーヂロック指定販売会社までお問い合わせください。

* ユーザーよりの現場交換用の予備品としてはご注文いただけません。

この日本語版ユーザー・マニュアルは、英語版ユーザー・マニュアルの内容を忠実に反映することを目的に、製作いたしました。日本語版の内容に英語版との相違が生じないよう、細心の注意を払っておりますが、万が一相違が生じてしまった場合には、英語版の内容が優先されますので、ご注意ください。

製品保証

Swagelok 製品には、Swagelok リミテッド・ライフタイム保証が付いています。詳細につきましては、www.swagelok.co.jp にアクセスいただくか、スウェーجزロック指定販売会社までお問い合わせください。

Swagelok—TM Swagelok Company
© 2001—2013 Swagelok Company
Printed in U.S.A., AGS
January 2013, R4
MS-13-205