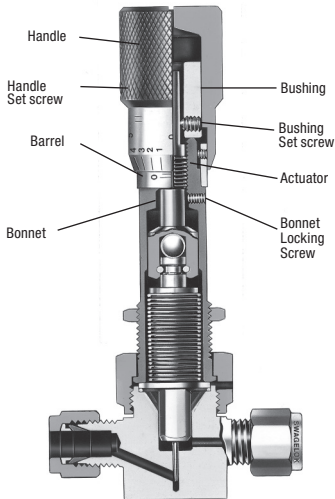


# BM SERIES BELLOWS SEALED METERING VALVE



## Dead-Stop Adjustment

1. Loosen **bonnet locking screw** with 1/16 in. hex wrench.
2. Loosen **handle set screw** with 1/8 in. hex wrench and remove **handle**.
3. Loosen **bushing set screw** with 1/8 in. hex wrench and remove **bushing**.
4. Turn **actuator** by hand to the desired minimum flow position.

Note: Valve is **not** intended for use in shut off service. Attempting to use valve in shut off or very low flow service may result in damage to the valve and stem.

5. Holding the **actuator** steady, slide the **bushing** onto the **actuator** as shown.
6. With the **bushing** bottomed-out against the top of the **bonnet**, make sure the **bushing set screw** is aligned with the **flat** on the **actuator**. Tighten the **bushing set screw** (torque 35 in.-lb (4.0 N-m)) with 1/8 in. hex wrench.
7. Slide the **handle** over the **bushing** and align the zero mark on the **handle** with the zero mark on the **barrel**.
8. Tighten the **handle set screw** (torque 35 in.-lb (4.0 N-m)) with 1/8 in. hex wrench to hold the **handle** in place.
9. Check the flow rate at the new dead-stop setting. To make any additional adjustments repeat steps 2-9.
10. If desired, tighten **bonnet locking screw** with 1/16 in. hex wrench to hold flow setting.

Swagelok



swagelok.com

Swagelok – TM Swagelok Company  
© 1999-2025 Swagelok Company  
Printed in U.S.A., CP  
MS-CRD-0009 RevC, April 2025