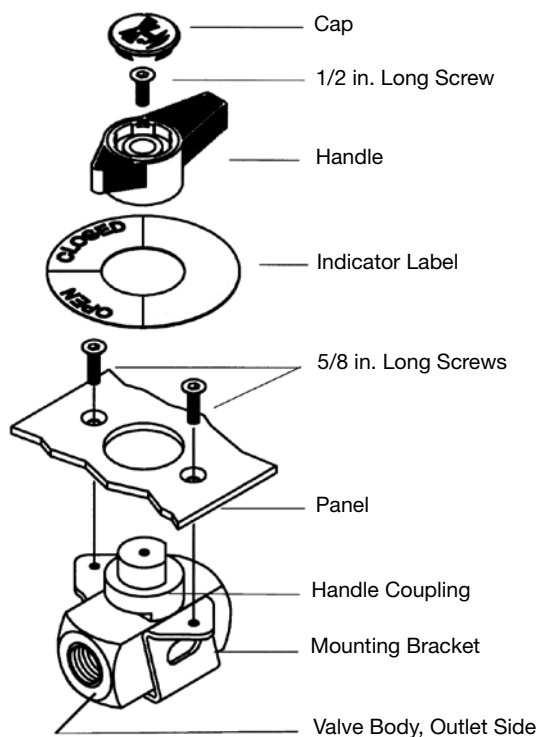


Plug Valve Panel Mount Installation Instructions

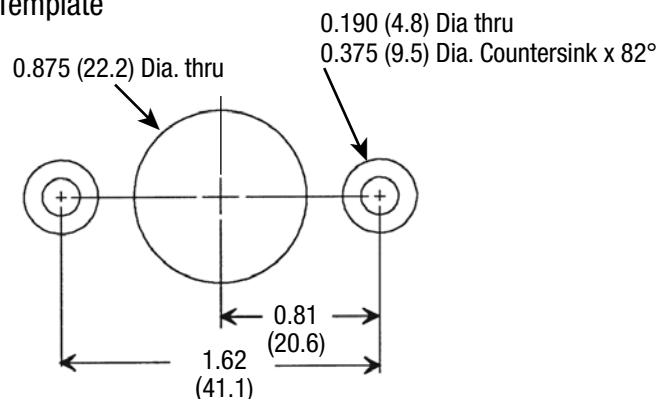
1. Select the proper **template** (P4T or P6T). Use **template** to mark the location of the **mounting bracket holes** and the **center hole**. Drill **holes** to the required diameter and countersink depth shown on the template.
2. Place the **mounting bracket** around the **valve body**, then insert the top of the **valve body** through the **center hole** from the back of the panel.
3. Attach the **mounting bracket** to the panel using (2) **5/8 in. long screws**. Make sure the body is oriented as desired, then tighten the **screws** with a 3/32 in. hex wrench until snug.
4. Affix **indicator label** to the front of the **panel** with the word **OPEN** over the **outlet** side of the body.
5. Place the **handle** on top of the **handle coupling** aligning the "flats". Fasten the **handle** to the coupling with the **1/2 in. long screw**. Carefully tighten the **screw** with a 3/32 in. hex wrench until handle is secure.
6. Align the **cap** with the **handle** then snap the **cap** into place on top of the handle.
7. Test the valve for proper operation.



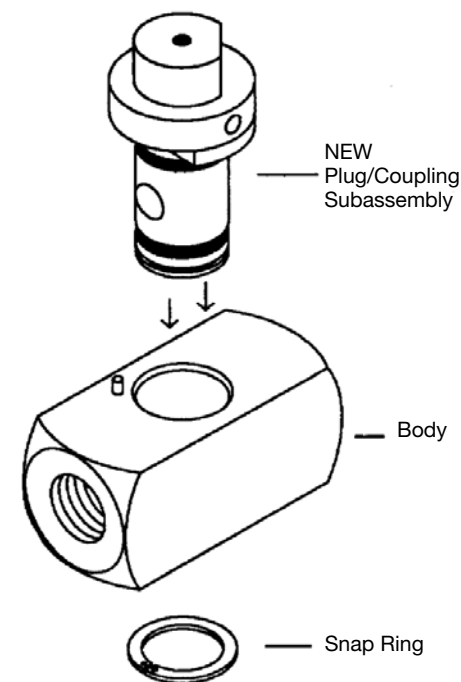
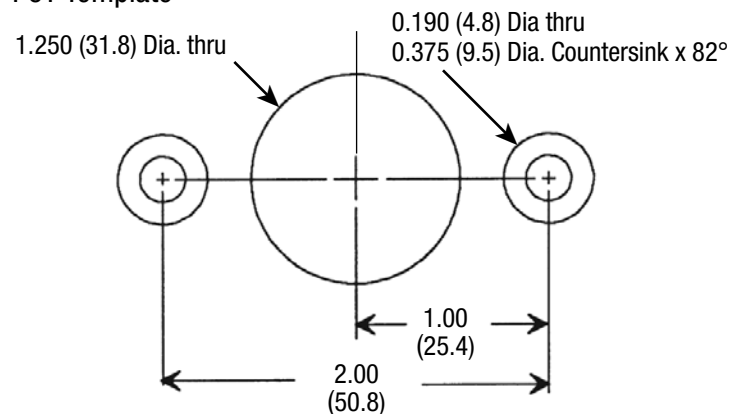
Plug Valve Panel Mount Retrofit Instructions

1. Relieve system pressure to existing valve.
2. Remove **snap ring** from bottom of plug using snap ring pliers and discard. Remove **plug/handle subassembly** from valve body by lifting straight up on handle.
3. Remove plastic **protective sleeve** from the new **plug/coupling subassembly**. Insert **subassembly** into the valve body with the subassembly oriented as shown below.
4. Install new **snap ring** into the groove in the bottom of the plug using snap ring pliers.
5. Follow **steps 1** through **7** for Plug Valve Panel Mount Installation Instructions to complete the installation.

P4T Template



P6T Template



Dimensions, in inches (millimeters), are for reference only and are subject to change.

Translations are available on www.swagelok.com.