

Attachment B. Scope of Registration for Swagelok VB03 and VB04 Series Process Interface Valves (Category C)

Product Scope

This document represents the scope of Swagelok VB03 and VB04 Series Process Interface Valves covered by this submission for CRN approval. Swagelok VB03 and VB04 Series Process Interface Valves were designed and evaluated in accordance with ASME B31.1 and ASME B31.3 as unlisted components.

Summary Tables

Table 1: VB03 Scope							
Body Material/ Specification	Configuration	ASME Class	Flange Size	Bore Size	Minimum Temperature	Maximum Allowable Working Pressure (psig)	
						At 70°F	At 400°F
F316/F316L ASTM A182	Ball/Needle/Ball (Block/Bleed/Block):	150	1 in. (DN 25)	1 in. (DN 25)	-58°F	2160	1540
	Full Bore	300	1-1/2 in. (DN 40)	1-1/2 in. (DN 40)			
	Reduced Bore	600	2 in. (DN 50)				
		900					

- 1) All seat and seal combinations
- 2) All flange types: RF smooth, RF serrated, and RTJ
- 3) Outlet connection = same as process
- 4) Bleed connection: 1/2 in. female NPT

THIS IS PART OF
CRN 0C18622-5
 Technical Standards & Safety Authority
 Boilers & Pressure Vessels
 Safety Program

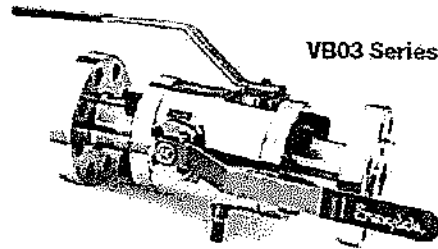
Table 2: VB04 Scope								
Body Material/ Specification	Configuration	ASME Class	Process Connection Size	Process Connection	Outlet Connection	Minimum Temperature	Maximum Allowable Working Pressure (psig)	
							At 70°F	At 400°F
F316/F316L ASTM A182	Ball/Needle/Ball (Block/Bleed/Block):	150	1/2 in. (DN 15)	Flange – RF Smooth		-58°F	3600	2570
	3/8 in. (9.5 mm) bore	300 / 600	3/4 in. (DN 20)	Flange – RF Serrated	1/2 in. female NPT			
	1/2 in. (14 mm) bore	900 / 1500	1 in. (DN 25)	Flange – RTJ	Flange			
	3/4 in. (20 mm) bore		1-1/2 in. (DN 40)	NPT Female (1/2 DN 15 only)				
			2 in. (DN 50)					

- 1) All seat and seal combinations
- 2) Bleed connection: 1/2 in. female NPT

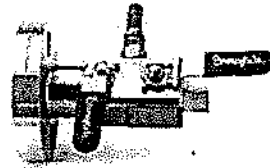
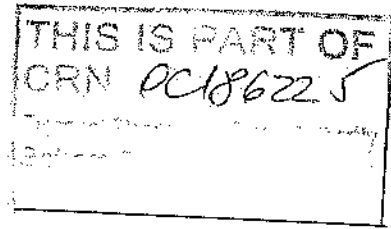

 Safety
 AUTHORITY
 Sept. 09, 2016
 BC SA J #66370

Product Drawings/Configurations

Process Interface Valves



VB03 Series



VB04 Series

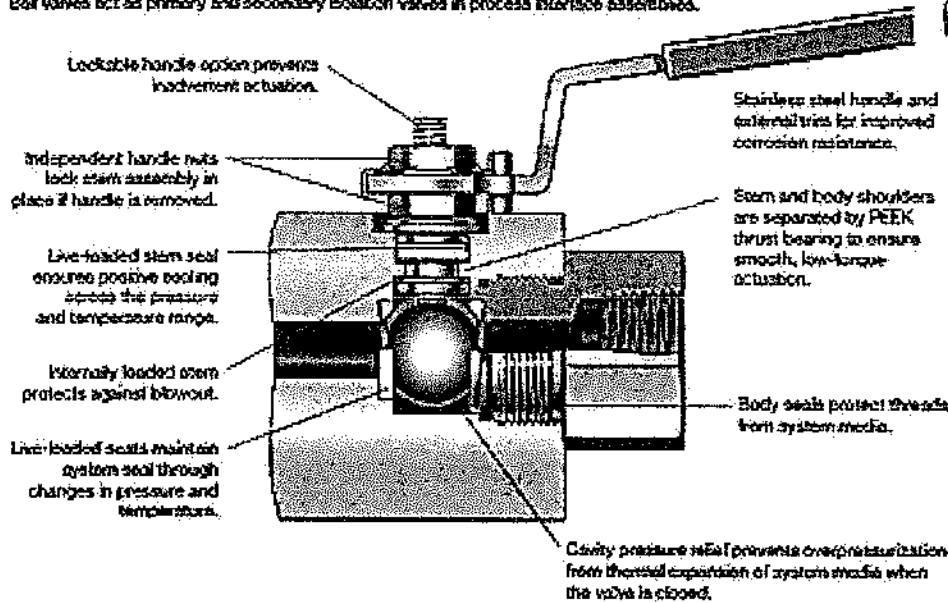


BCSA J# 66370

Process Instrumentation and Piping

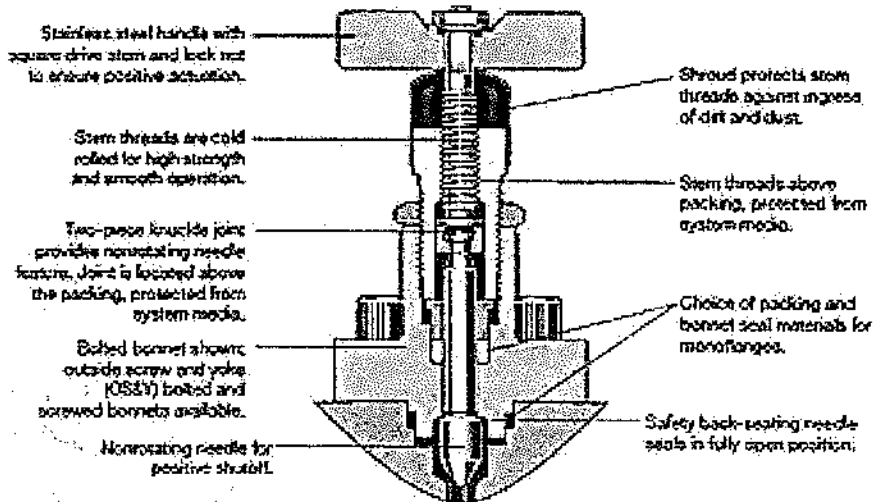
Ball Valve Module Advantages

Ball valves act as primary and secondary isolation valves in process interface assemblies.



Needle Valve Module Advantages

Needle valves act as primary and secondary isolation valves in process manifolds and as vent valves in manifold and process interface assemblies.



Typical Product Characteristics:

The list below are examples of product options which do not affect the pressure-temperature ratings shown in the Summary Table. All of the following options are within the scope of this registration:

- Lockable Lever Handles (for block valves)
- Non-lockable Lever Handles (for block valves)
- Antitamper bleed valve
- Bar handle (for bleed valve)
- Injection and Sampling probes
- Integral Check valves
- Sour gas service

Quality System

The Swagelok Company quality system complies with the requirements of BS EN ISO 9001:2008. The Swagelok Company maintains British Standards Institution Certificate of Registration Number FM 01729, which applies to all locations listed on the Certificate.

Special Ordering Instructions

None

References

The product catalog does not represent the full scope of registration, but rather details some of the most common options.

- Swagelok Process Interface Valves MS-02-340, R9



BCSAJ# 66370

